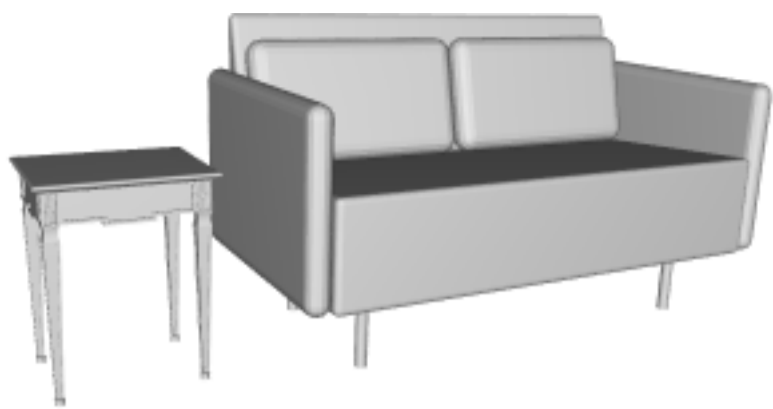
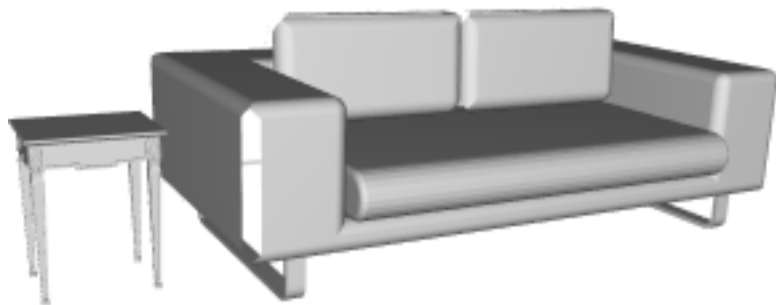


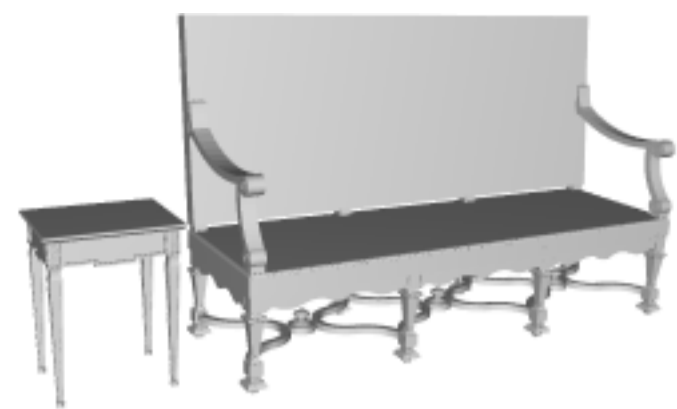
**Task 1 of 50 Score = 0.000101611**



0.923077



0.384615



0.230769



0.230769



0.153846

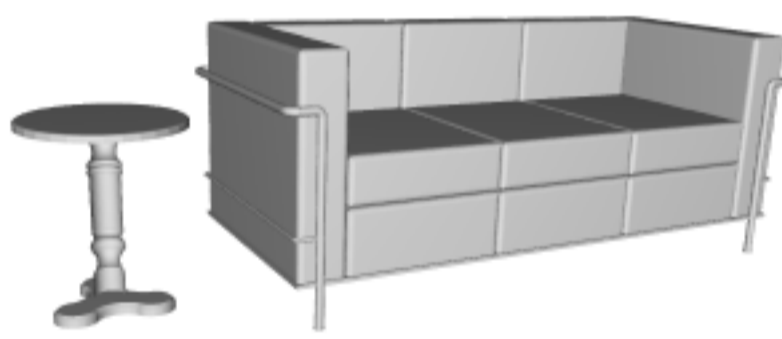


0.0769231

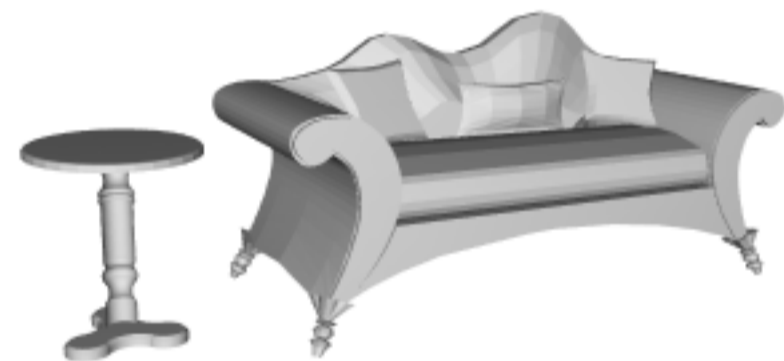
**Task 2 of 50 Score = 0.00127578**



0.846154



0.307692



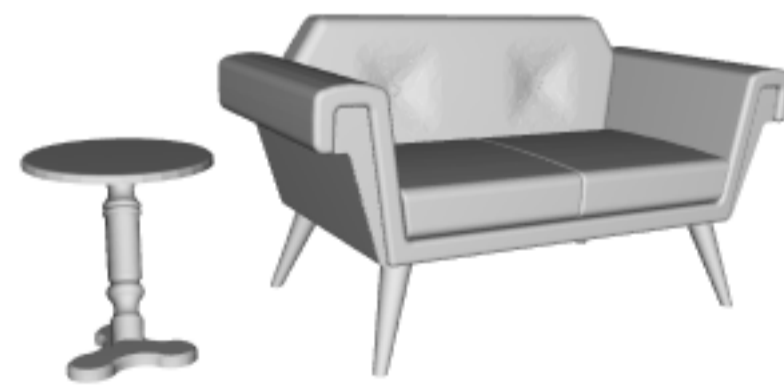
0.307692



0.307692

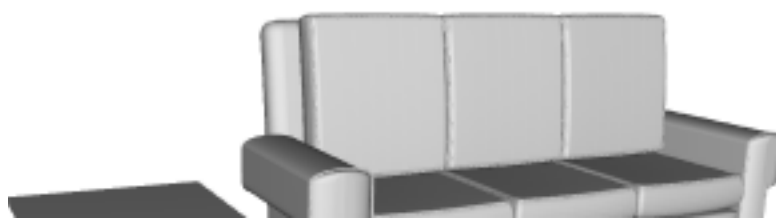
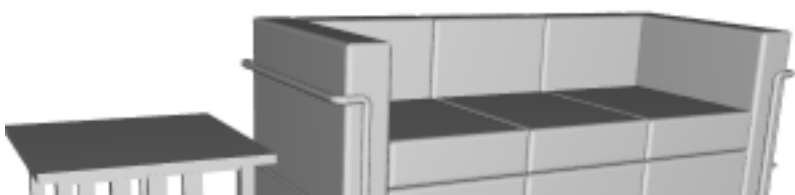


0.153846



0.0769231

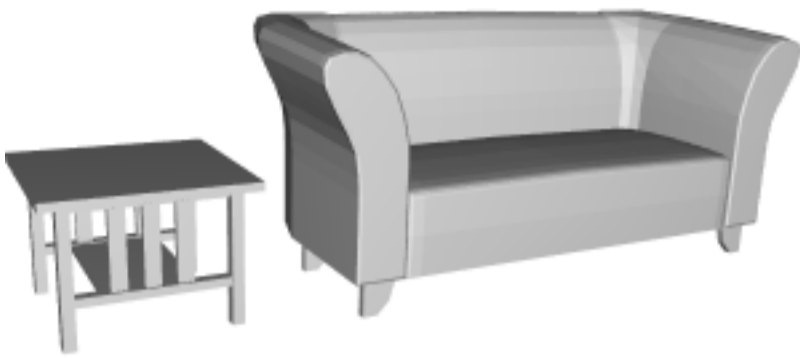
**Task 3 of 50 Score = 0.00527284**



0.7

0.45

0.45



0.25

0.1

0.05

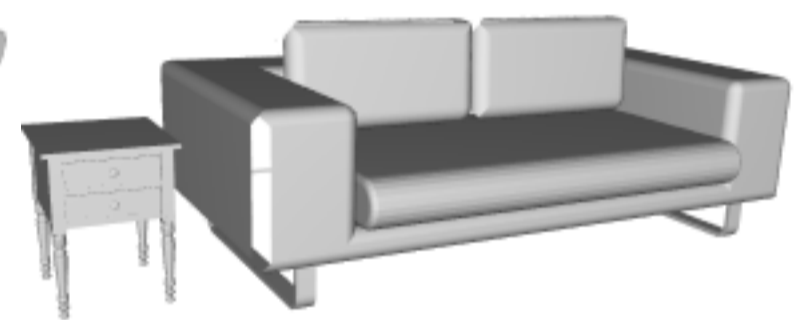
**Task 4 of 50 Score = 0.00988633**



0.769231



0.307692



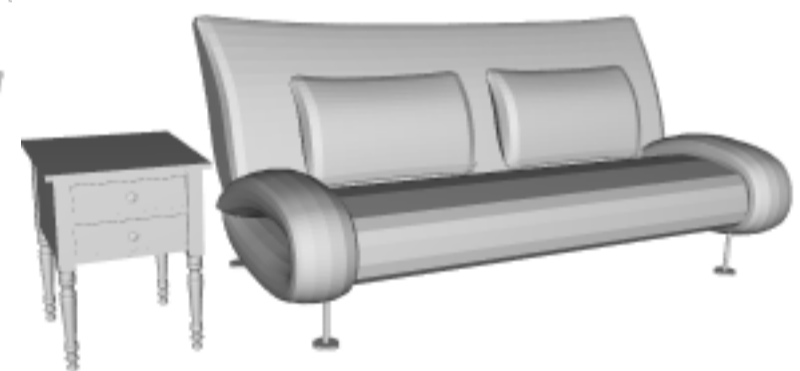
0.307692



0.230769



0.230769



0.153846

**Task 5 of 50 Score = 0.0223474**



0.65

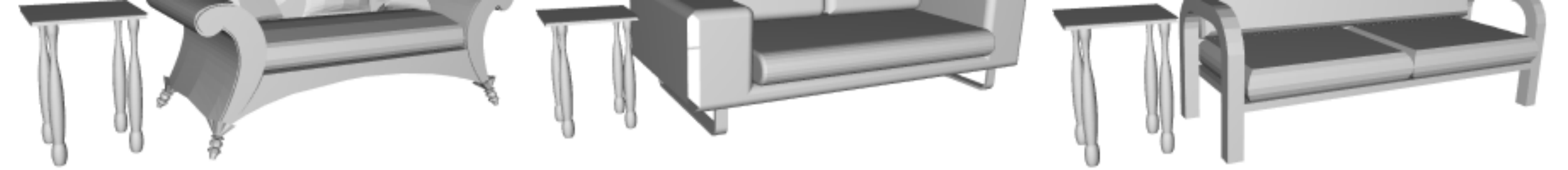


0.65



0.25



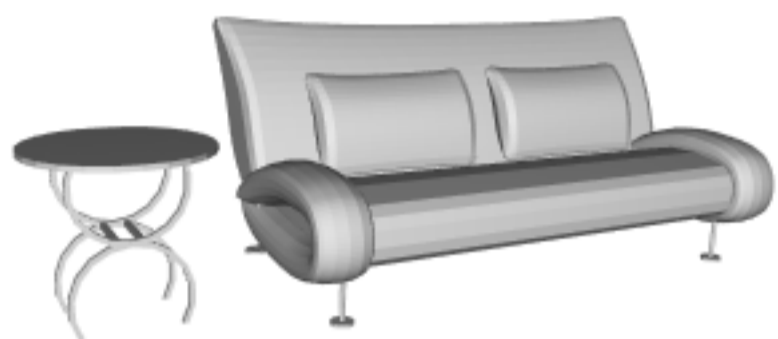


0.2

0.2

0.05

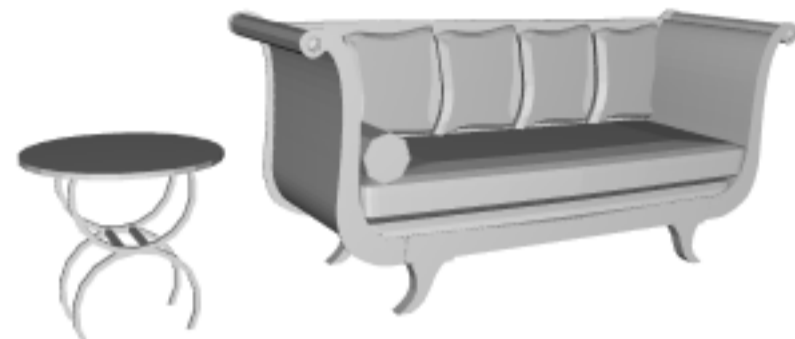
**Task 6 of 50 Score = 0.0223474**



0.65



0.5



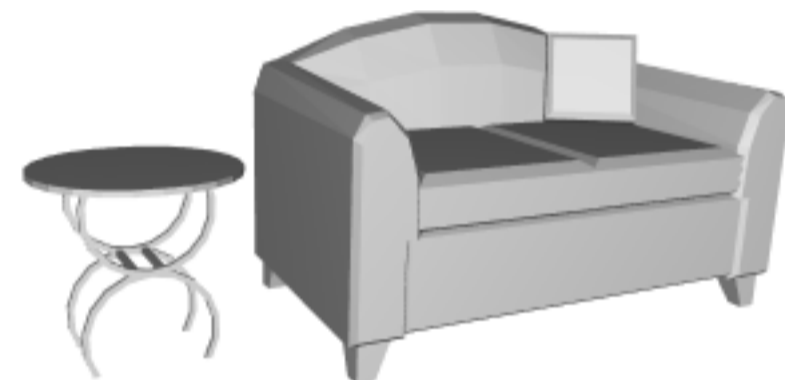
0.4



0.15

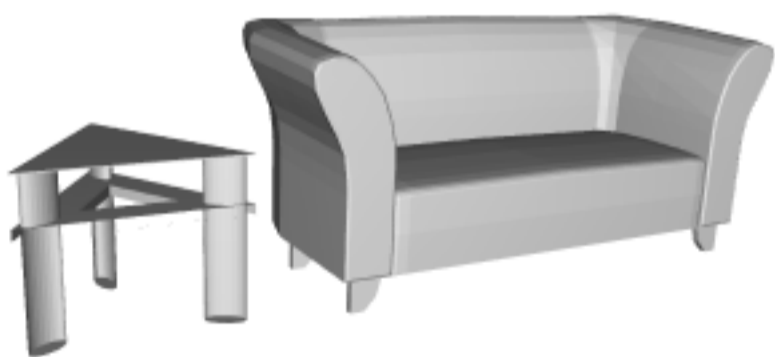


0.15



0.15

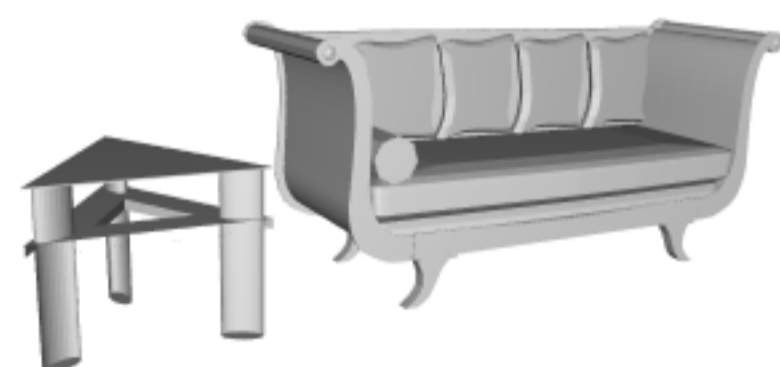
**Task 7 of 50 Score = 0.0223474**



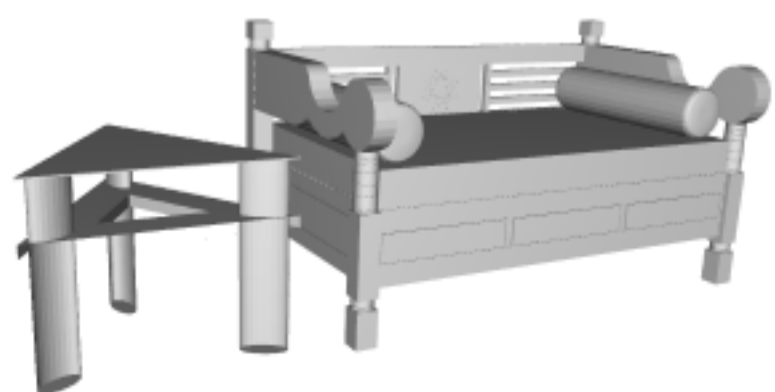
0.65



0.6



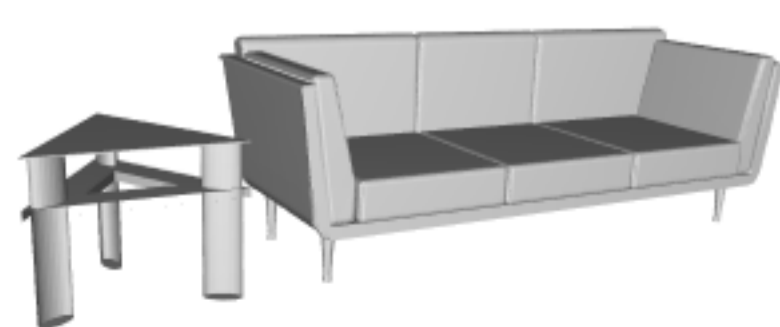
0.3



0.15

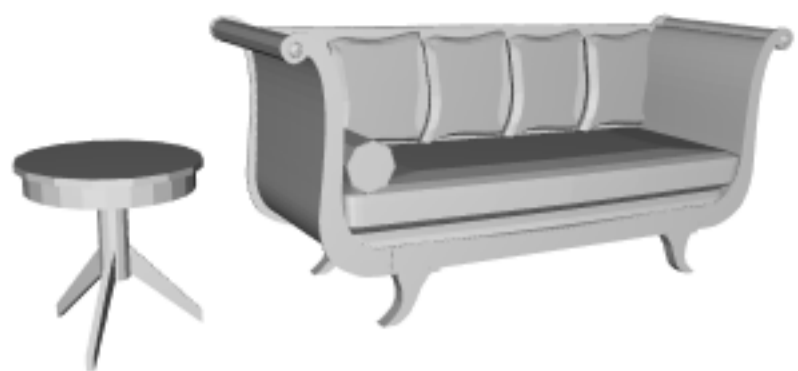


0.15

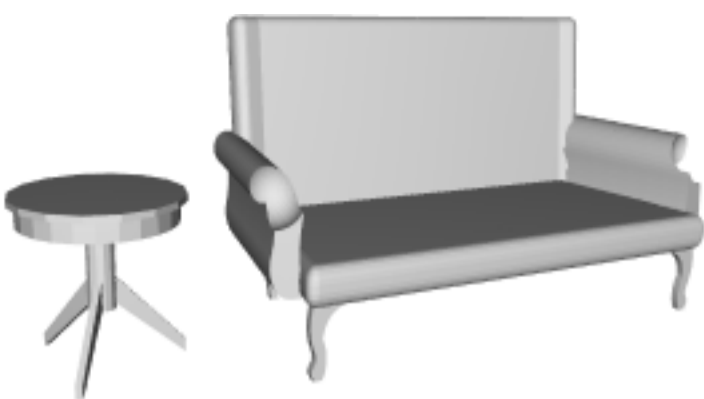


0.15

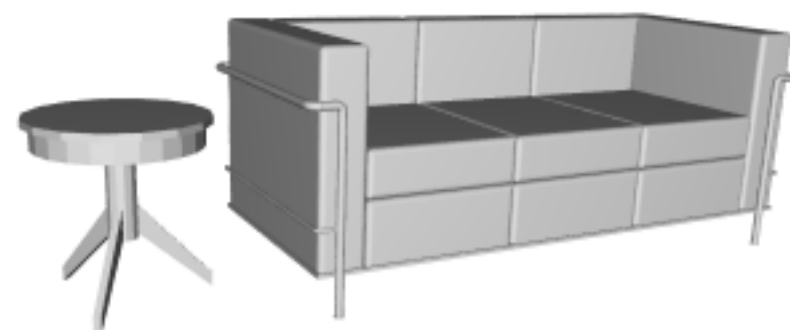
**Task 8 of 50 Score = 0.0223474**



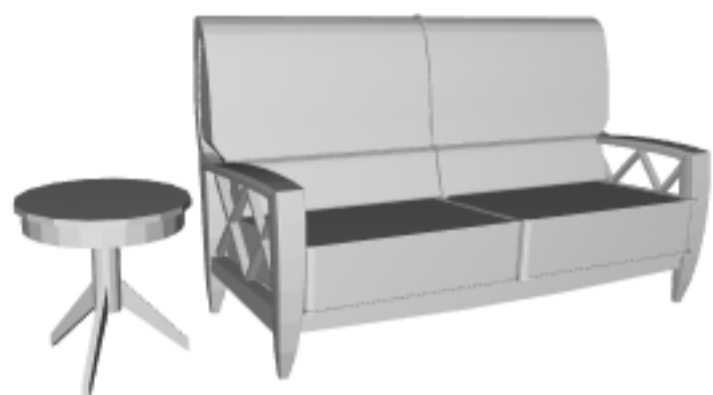
0.65



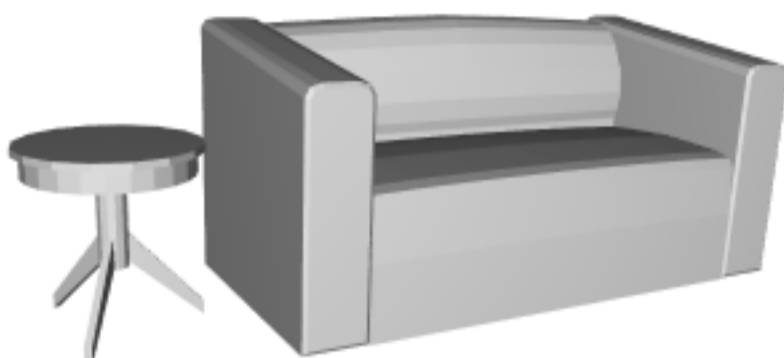
0.35



0.3



0.25



0.25



0.2

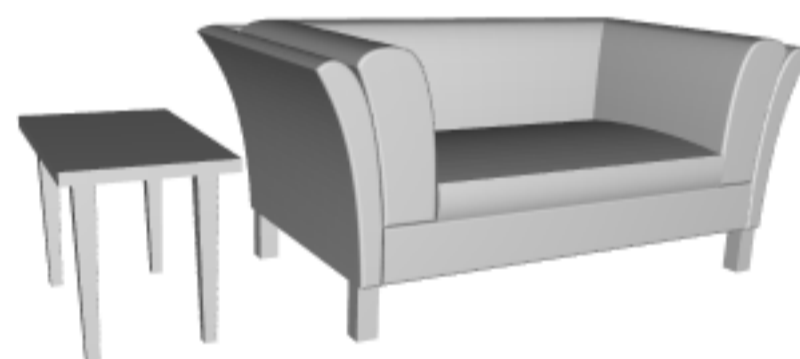
**Task 9 of 50 Score = 0.0529391**



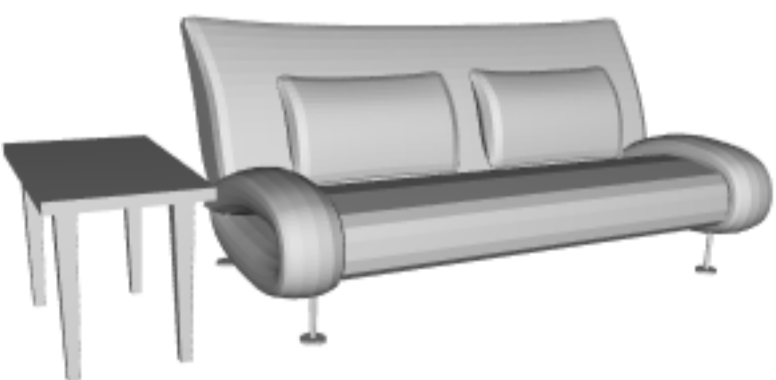
0.692308



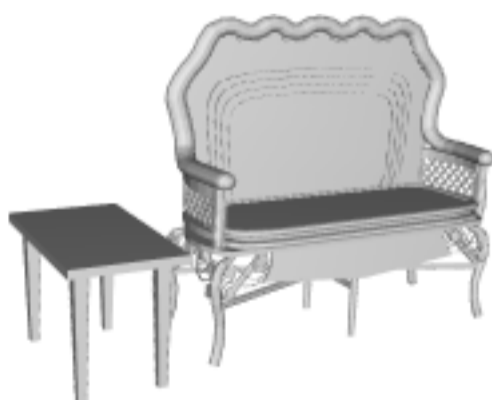
0.615385



0.384615



0.230769

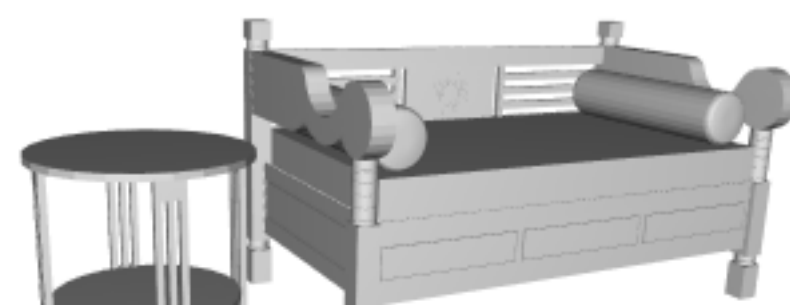
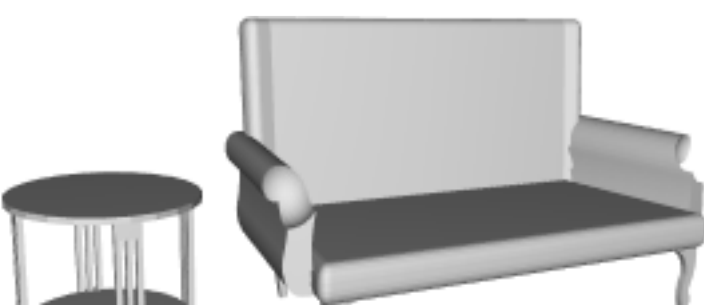
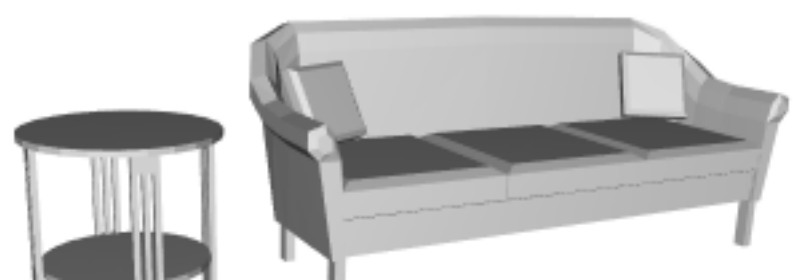


0.0769231



0

**Task 10 of 50 Score = 0.0529391**



0.692308



0.538462



0.307692



0.307692

0.0769231

0.0769231

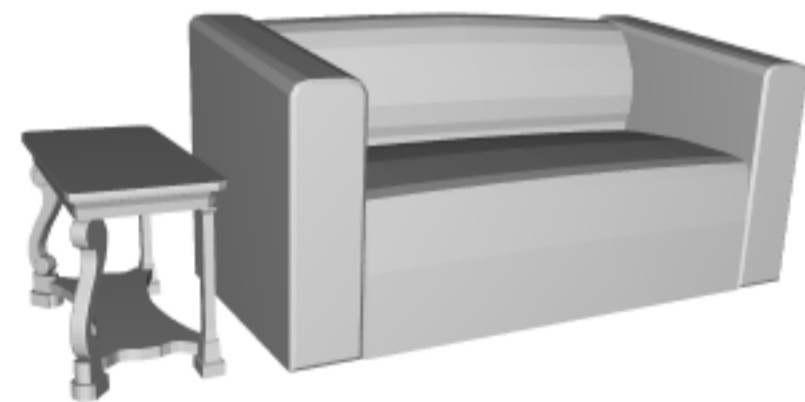
**Task 11 of 50 Score = 0.0529391**



0.692308



0.692308



0.230769



0.230769

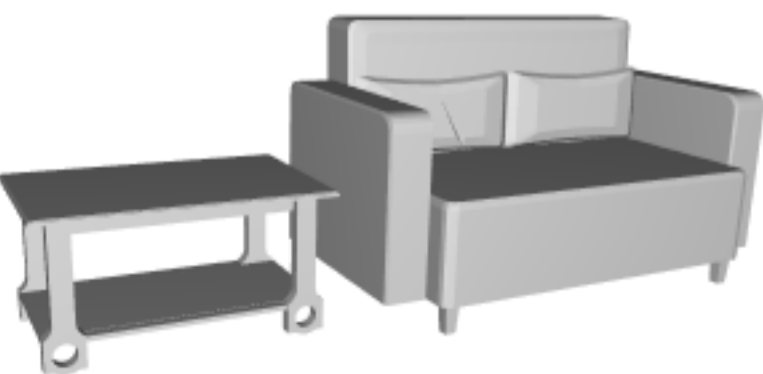


0.0769231

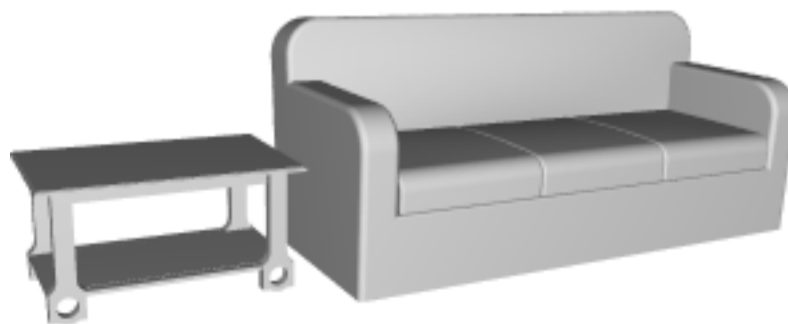


0.0769231

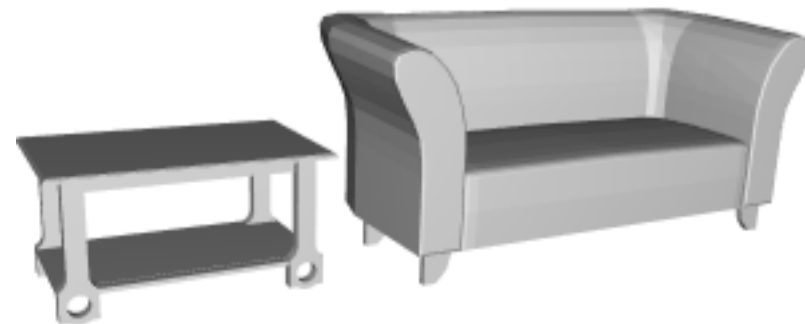
**Task 12 of 50 Score = 0.0529391**



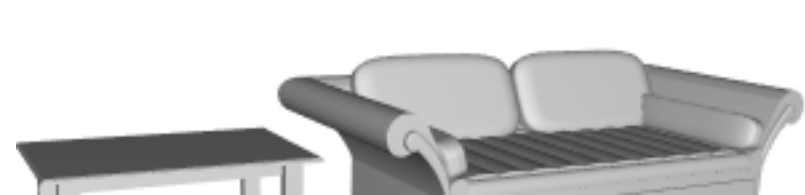
0.692308



0.615385



0.307692





0.153846



0.153846

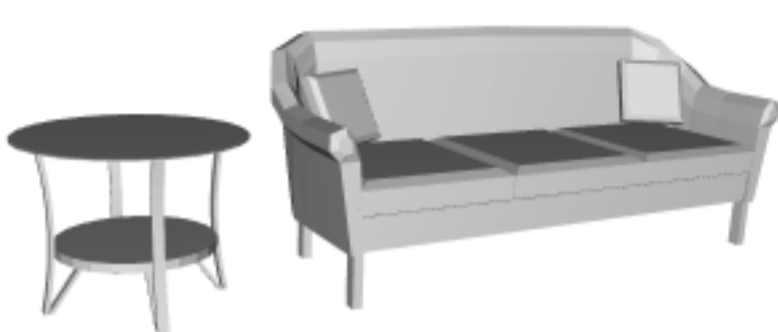


0.0769231

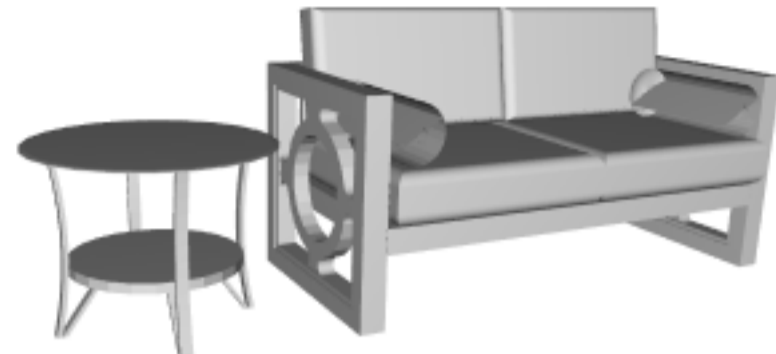
**Task 13 of 50 Score = 0.0529391**



0.692308



0.384615



0.384615



0.307692



0.153846



0.0769231

**Task 14 of 50 Score = 0.0529391**



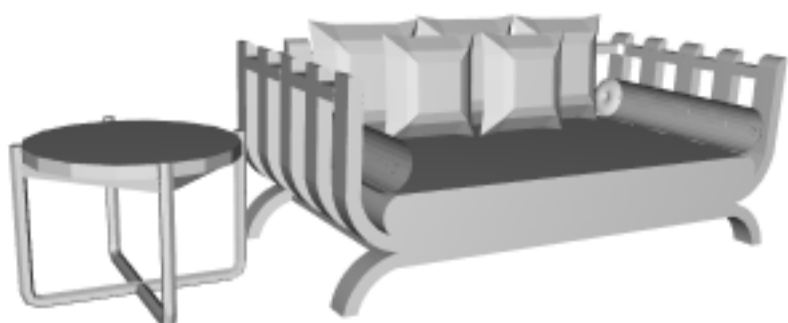
0.692308



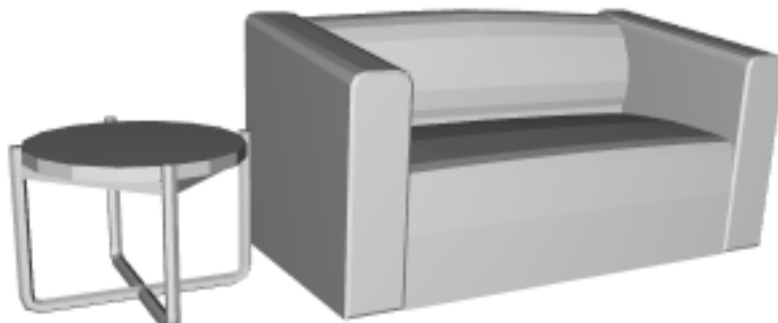
0.384615



0.384615



0.307692

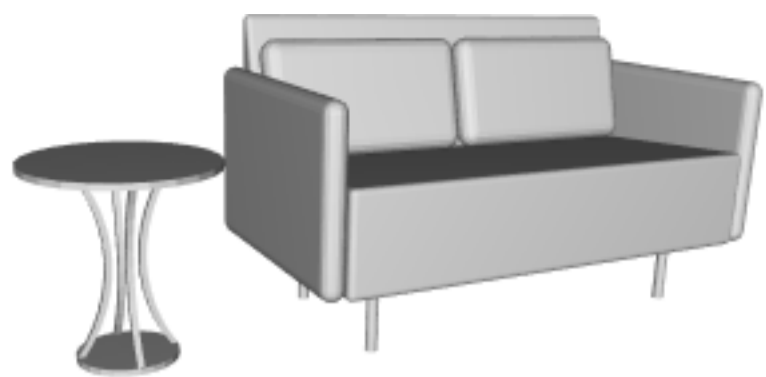


0.153846



0.0769231

**Task 15 of 50 Score = 0.0778398**



0.6



0.45



0.3



0.3



0.2

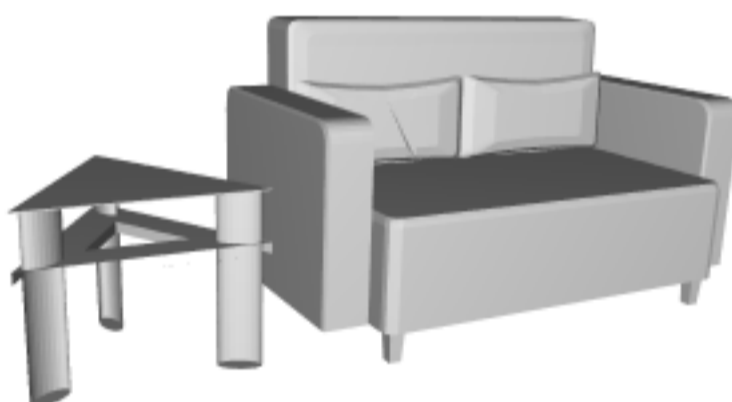


0.15

**Task 16 of 50 Score = 0.0778398**



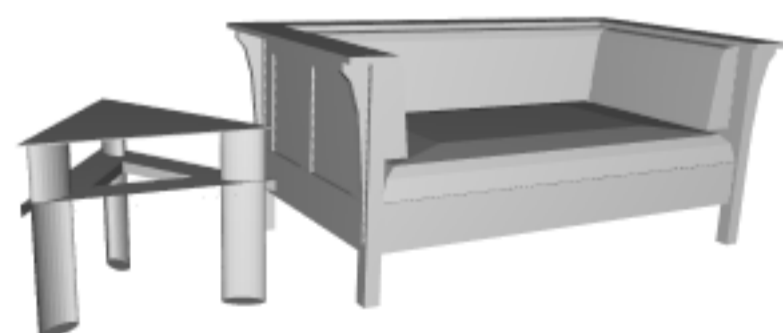
0.6



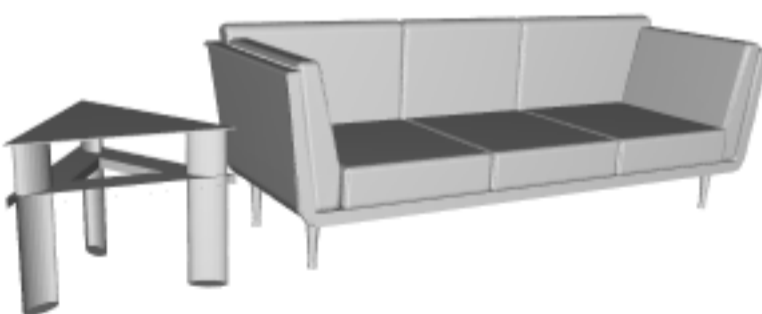
0.5



0.4



0.3

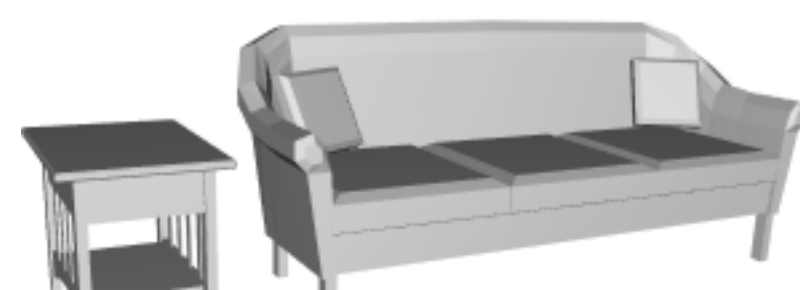
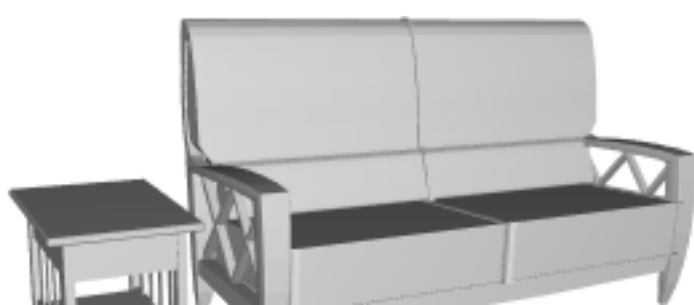
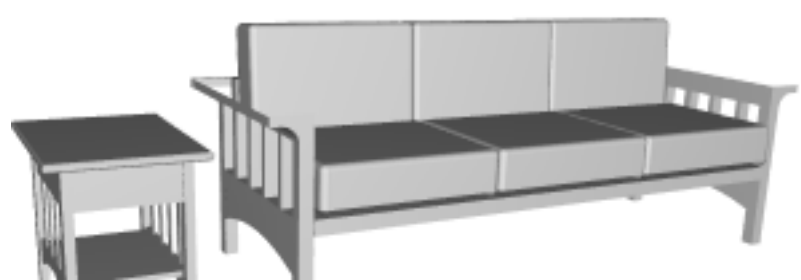


0.2

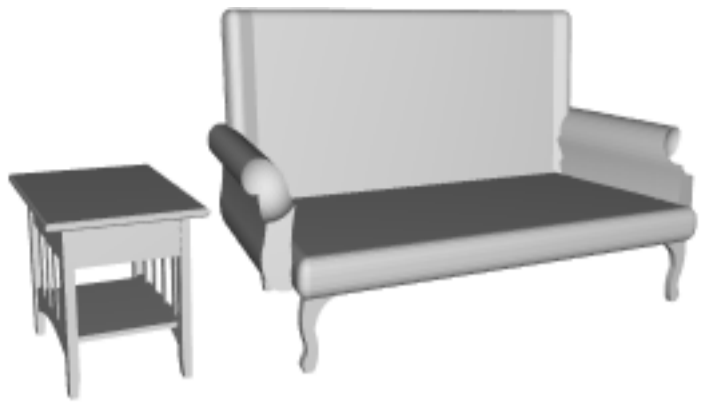


0

**Task 17 of 50 Score = 0.0778398**



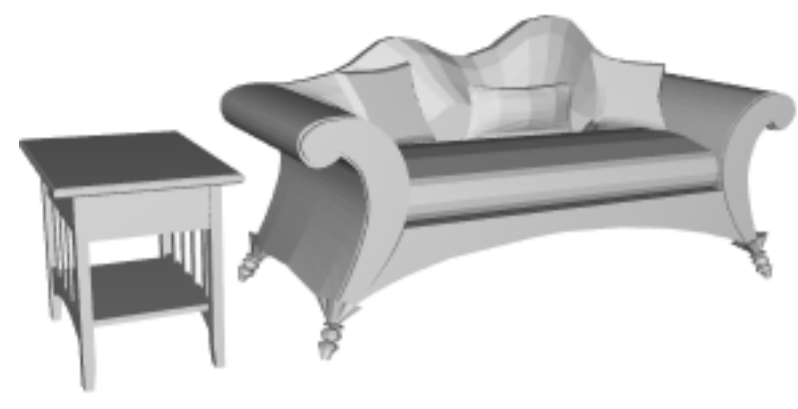
0.6



0.5



0.4

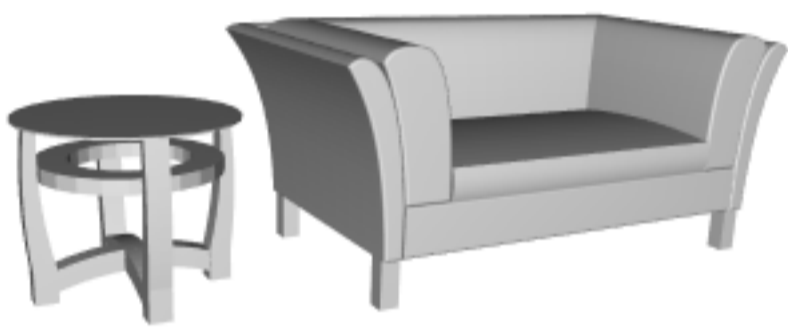


0.25

0.15

0.1

**Task 18 of 50 Score = 0.0778398**



0.6



0.4



0.3



0.25

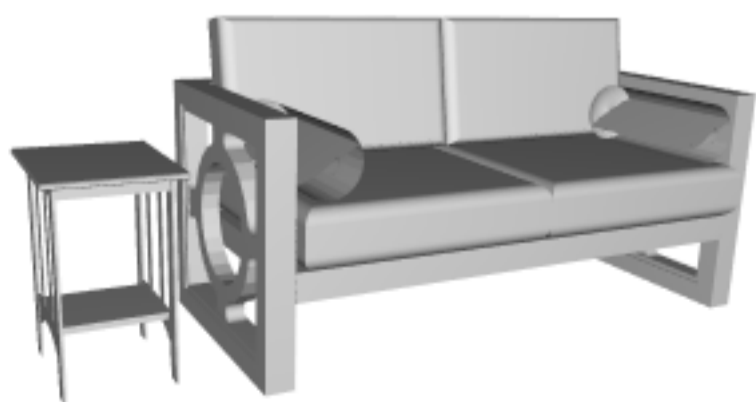


0.25

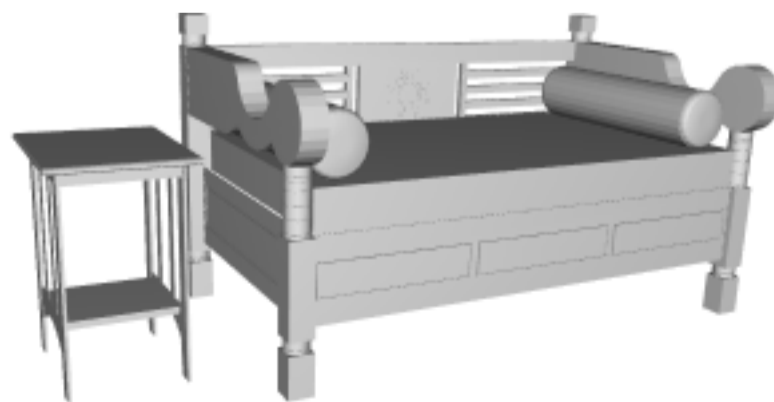


0.2

**Task 19 of 50 Score = 0.0778398**



0.6



0.45



0.3



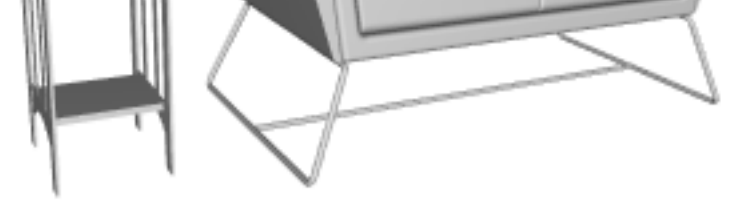




0.3



0.2



0.15

**Task 20 of 50 Score = 0.0778398**



0.6



0.5



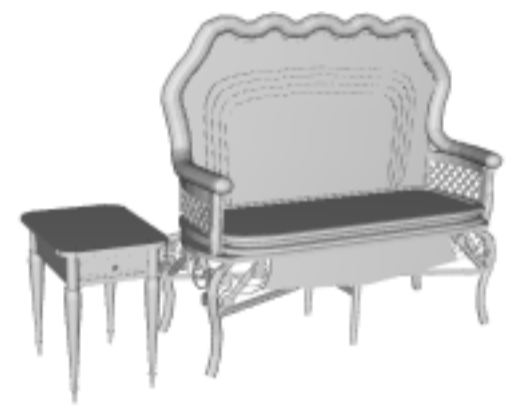
0.4



0.2



0.15

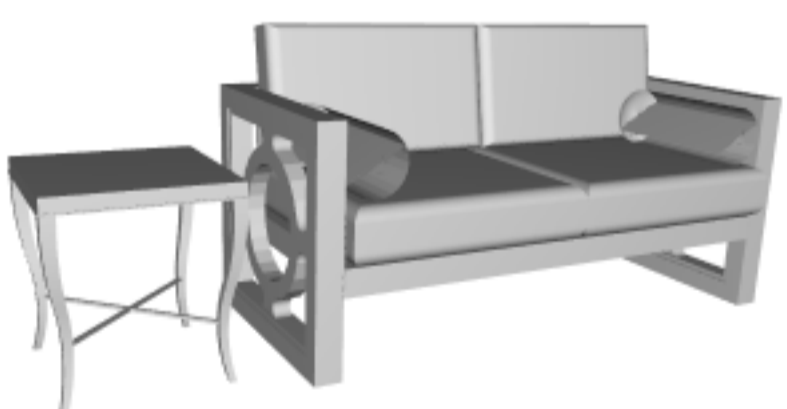


0.15

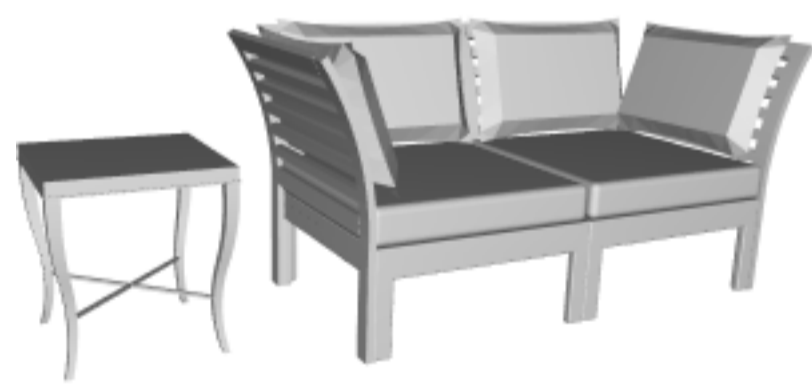
**Task 21 of 50 Score = 0.207929**



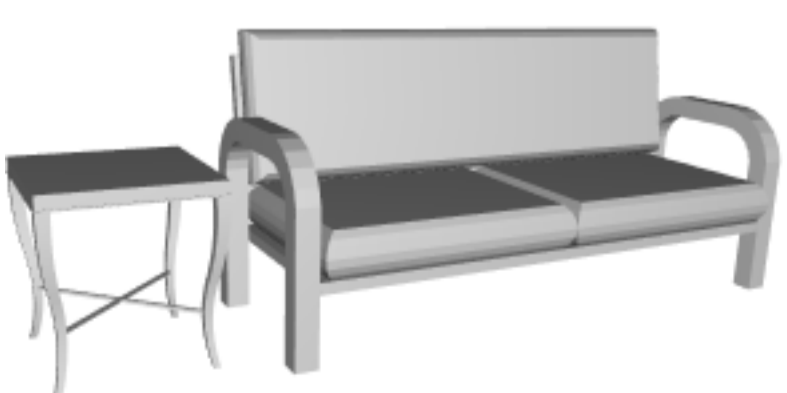
0.615385



0.461538



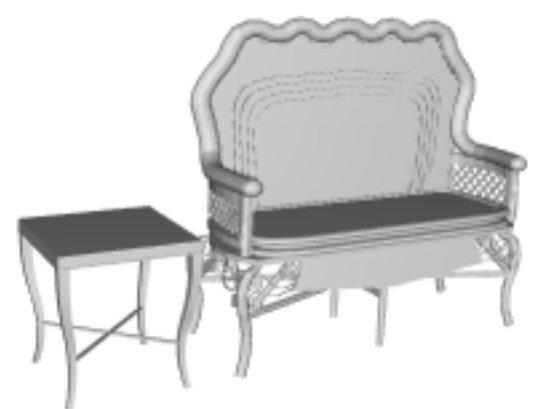
0.307692



0.230769



0.230769



0.153846

**Task 22 of 50 Score = 0.207929**



0.615385



0.615385



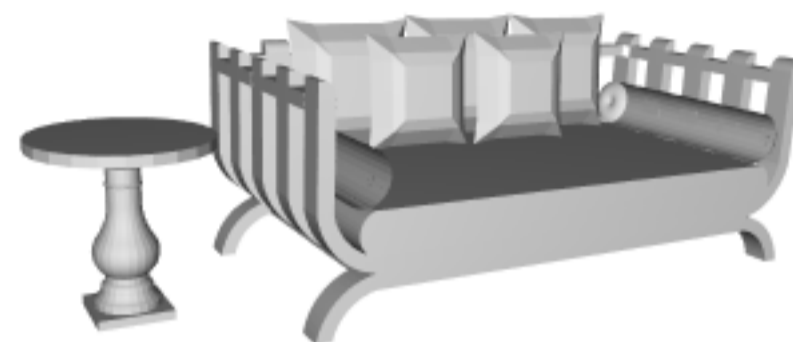
0.461538



0.153846



0.153846



0

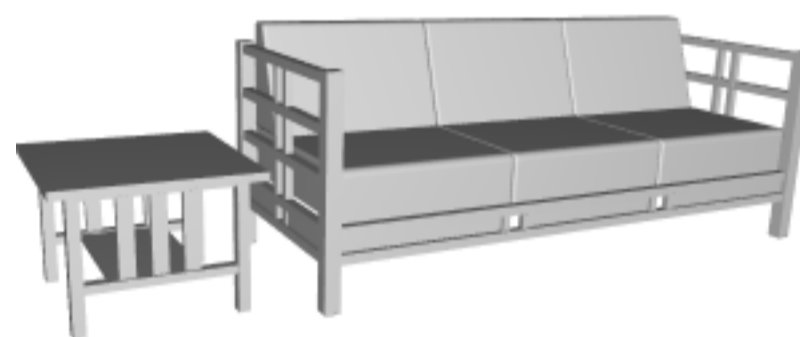
**Task 23 of 50 Score = 0.207929**



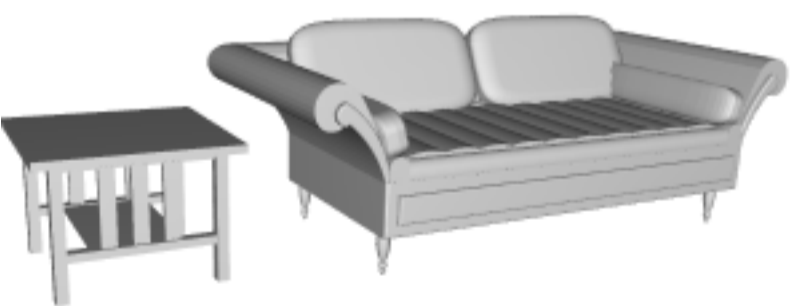
0.615385



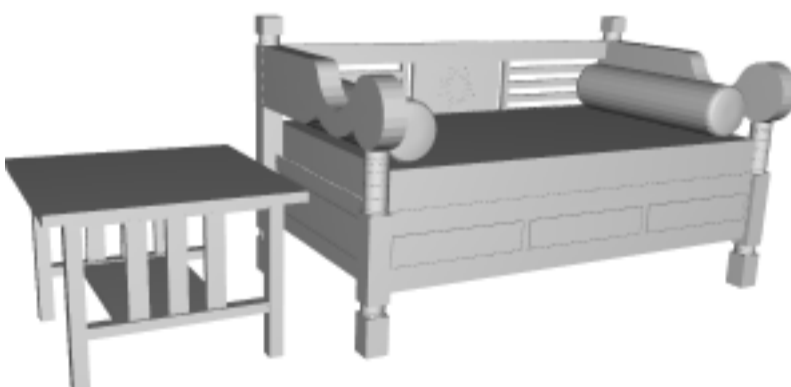
0.461538



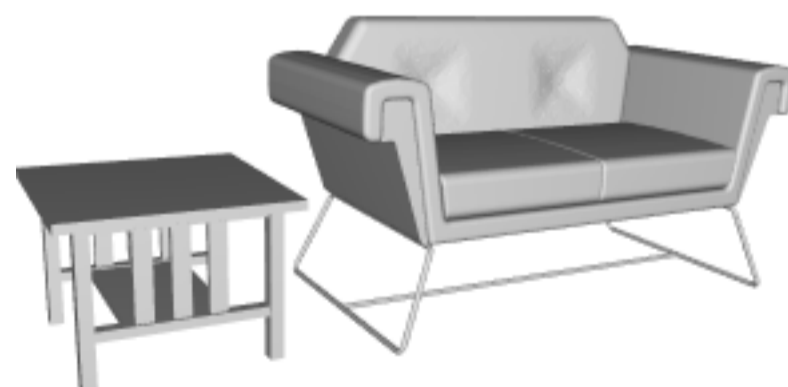
0.461538



0.230769

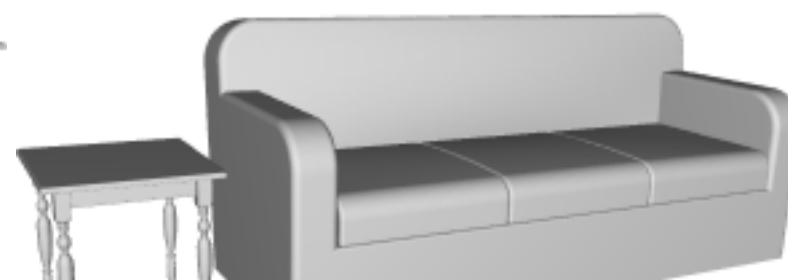
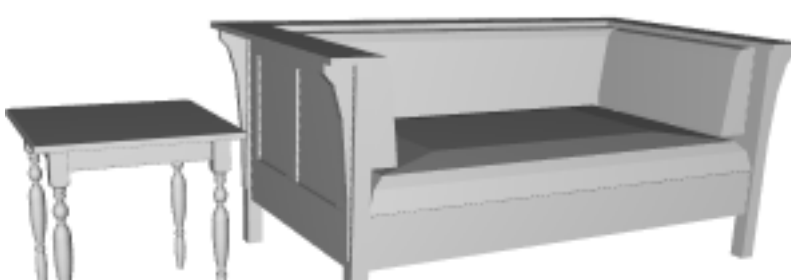
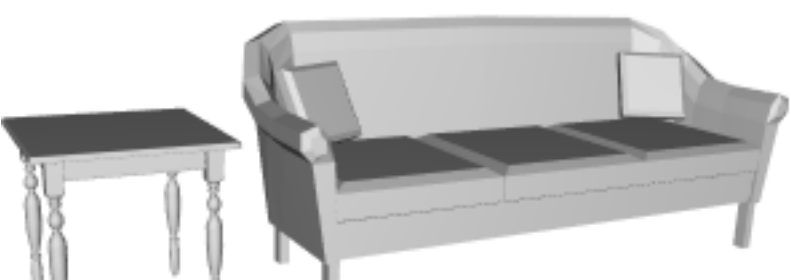


0.153846

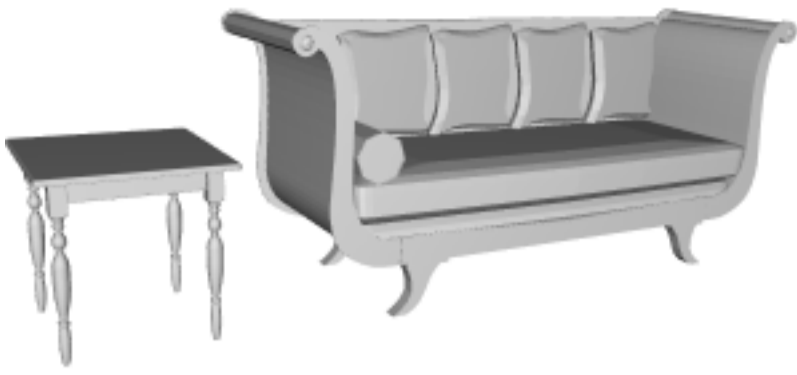


0.0769231

**Task 24 of 50 Score = 0.207929**



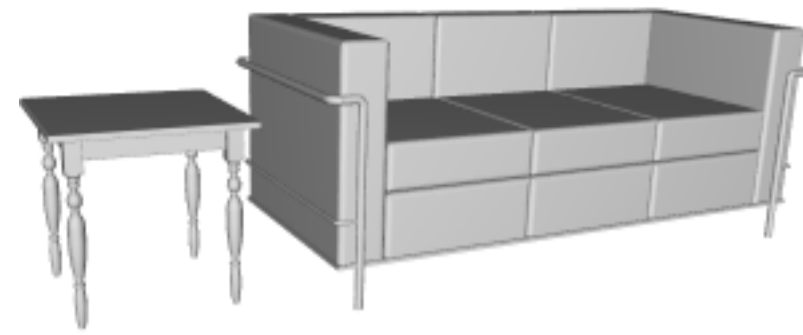
0.615385



0.384615



0.307692



0.307692



0.230769

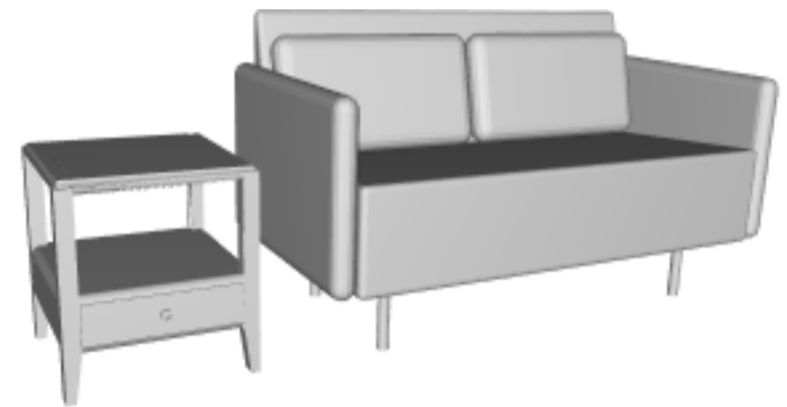


0.153846



**Task 25 of 50 Score = 0.207929**

0.615385



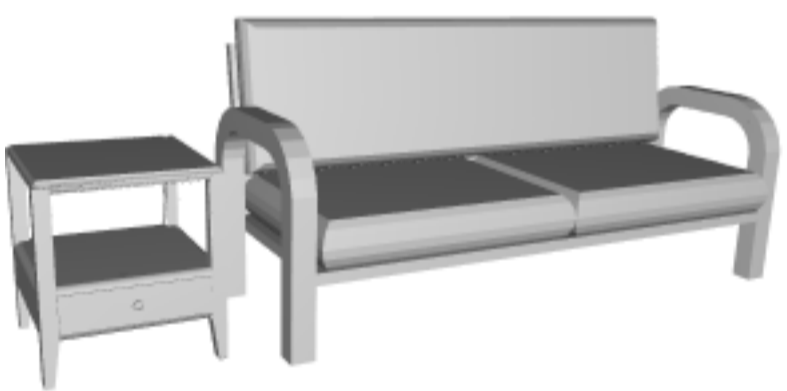
0.461538



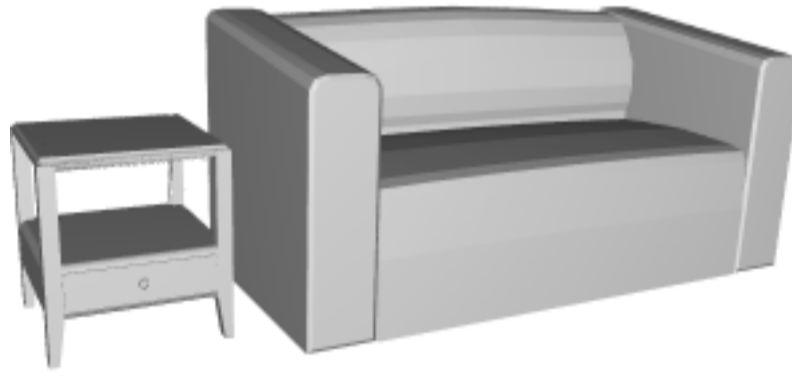
0.384615



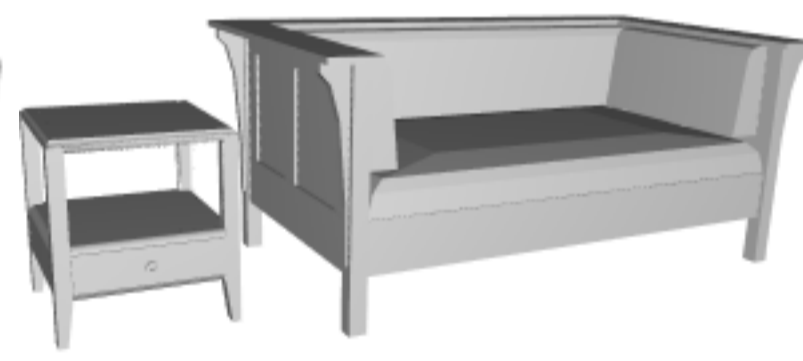
0.230769



0.153846

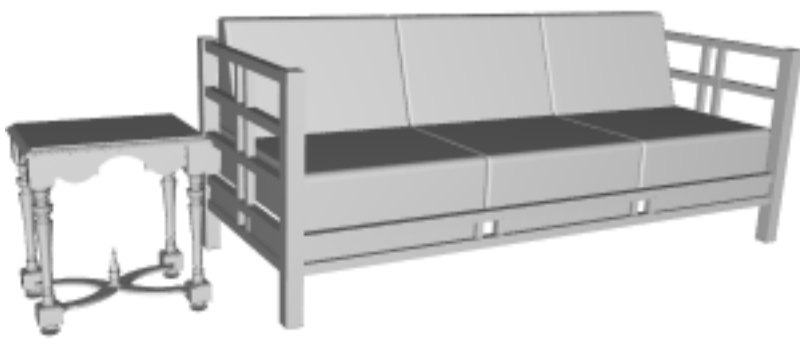


0.153846

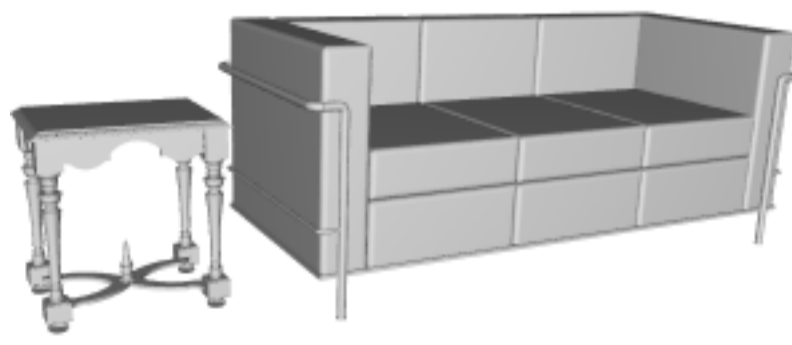


**Task 26 of 50 Score = 0.225819**

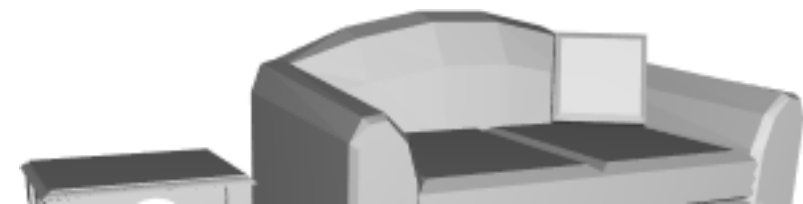
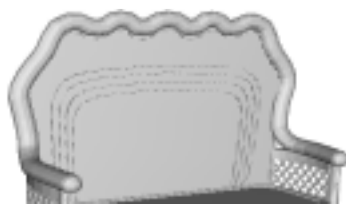
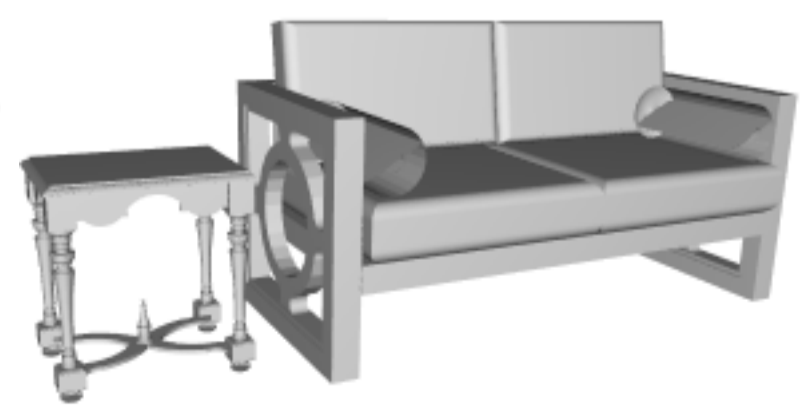
0.55



0.4



0.35

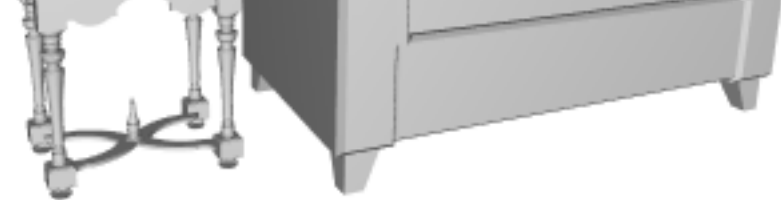




0.3



0.25



0.15

**Task 27 of 50 Score = 0.225819**



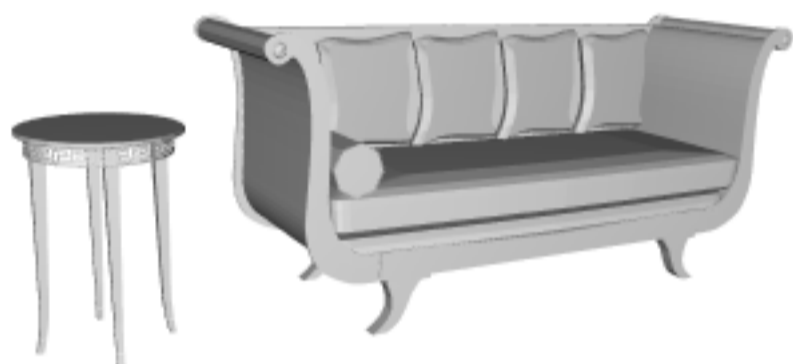
0.55



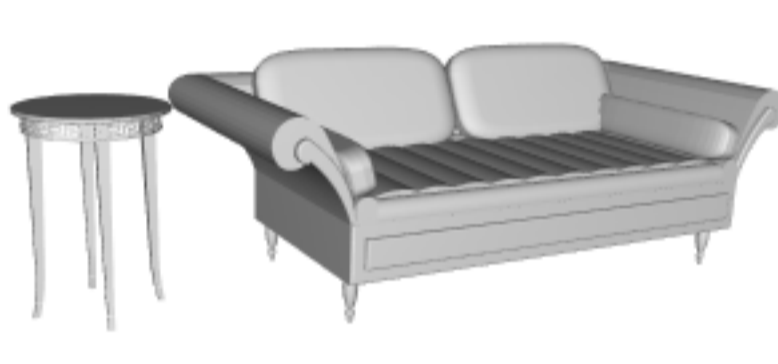
0.35



0.3



0.3



0.3

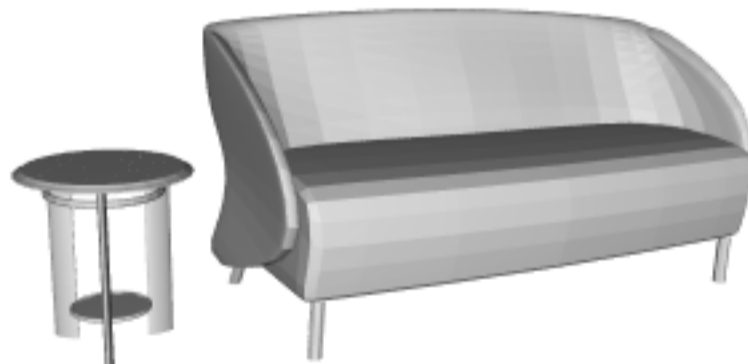


0.2

**Task 28 of 50 Score = 0.225819**



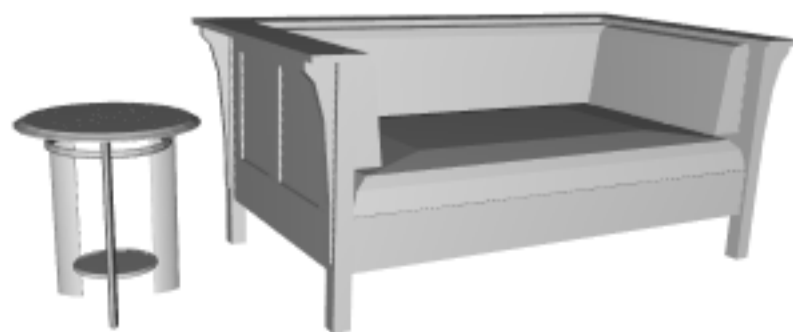
0.55



0.45



0.35



0.35



0.2



0.1

**Task 29 of 50 Score = 0.225819**



0.55



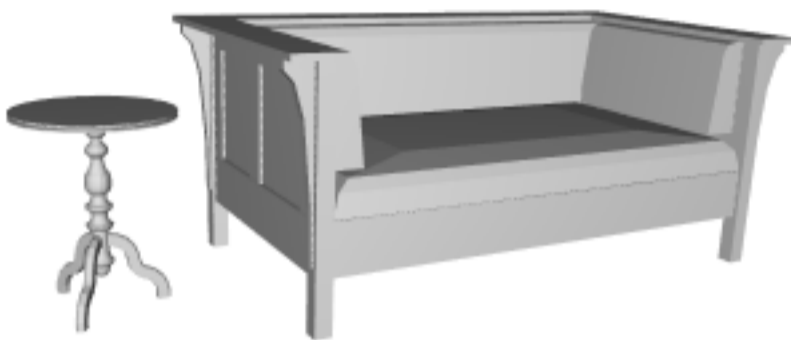
0.35



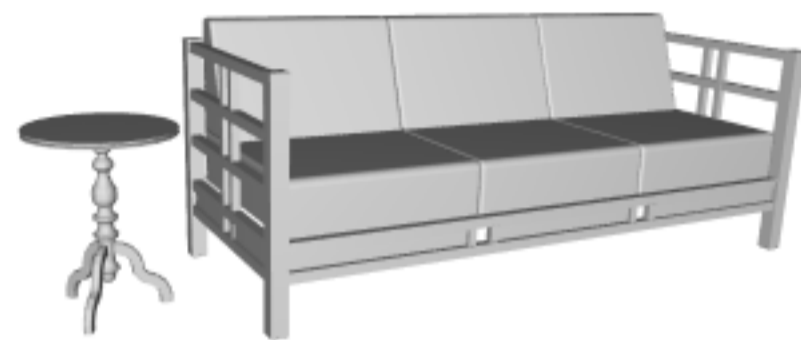
0.3



0.3

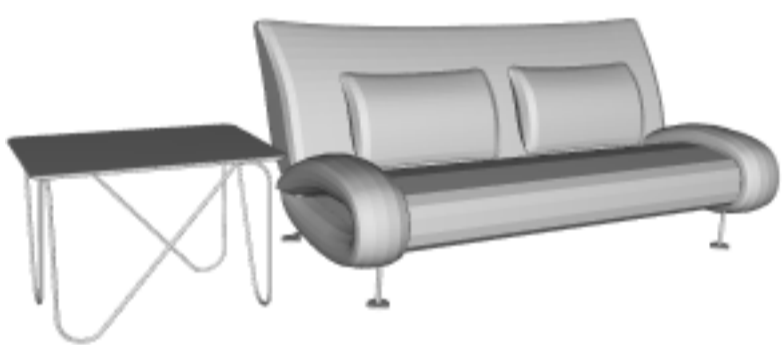


0.25

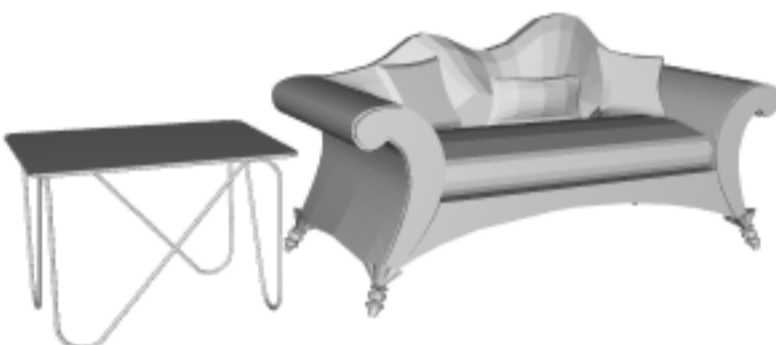


0.25

**Task 30 of 50 Score = 0.225819**



0.55



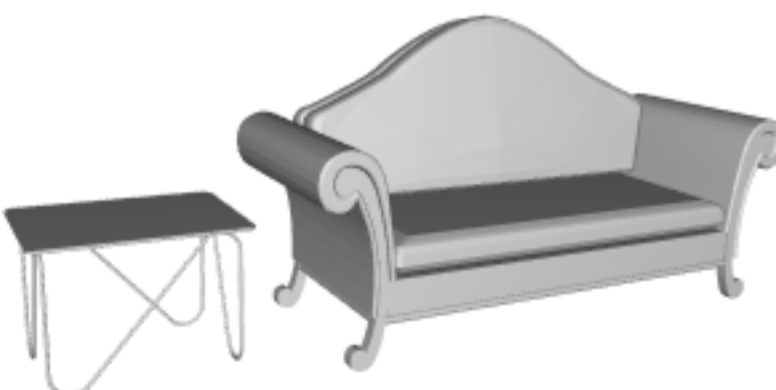
0.4



0.35



0.3

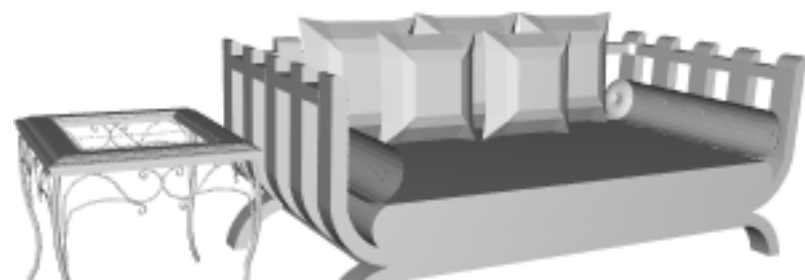
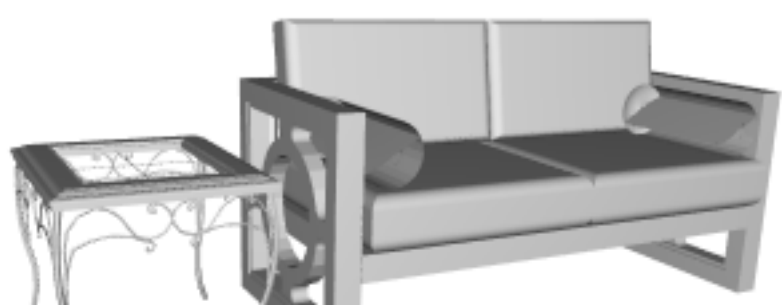


0.25

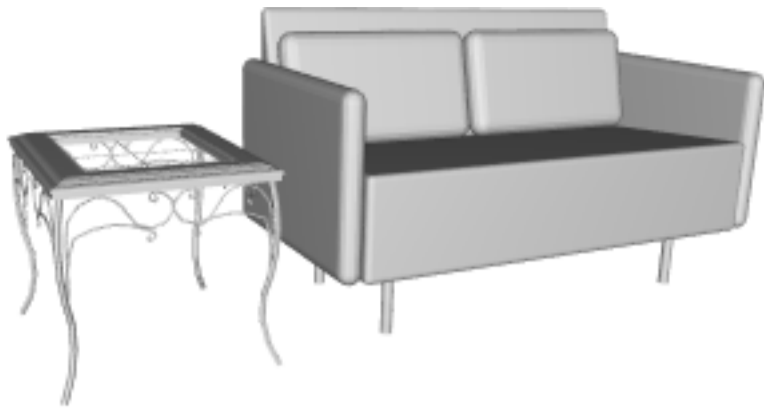


0.15

**Task 31 of 50 Score = 0.551375**



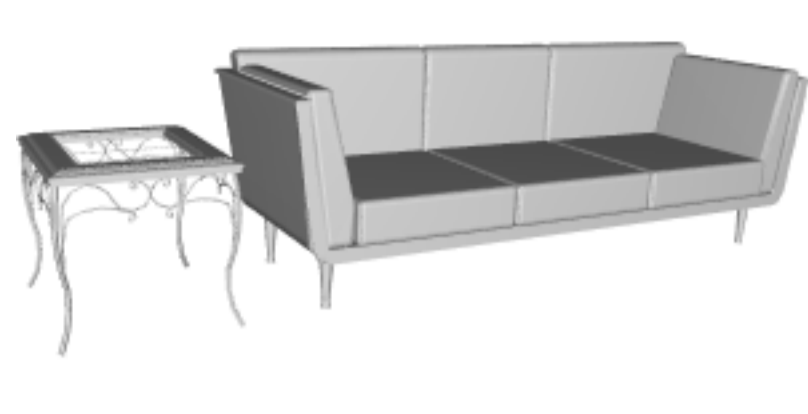
0.5



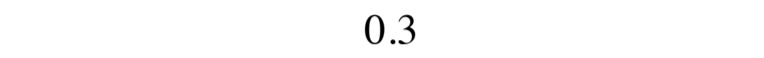
0.5



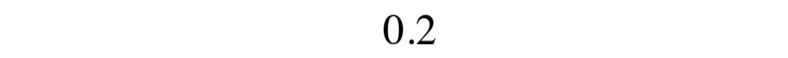
0.4



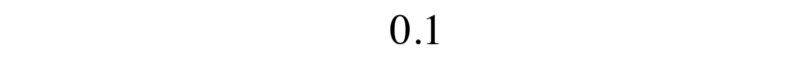
0.3



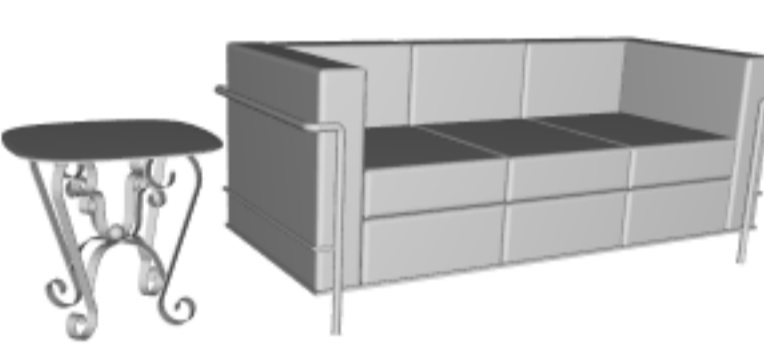
0.2



0.1



**Task 32 of 50 Score = 0.551375**



0.5



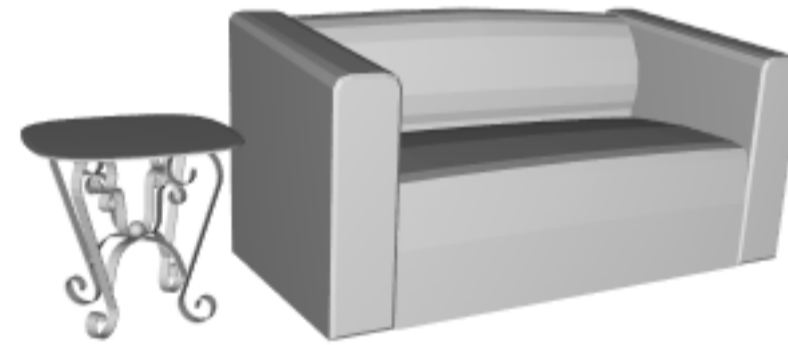
0.35



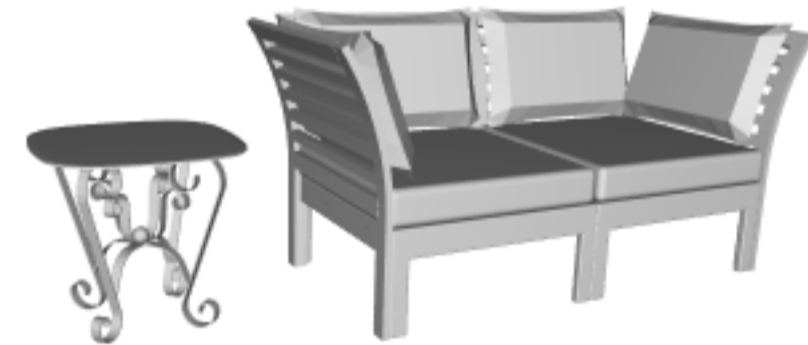
0.35



0.3



0.25



0.25

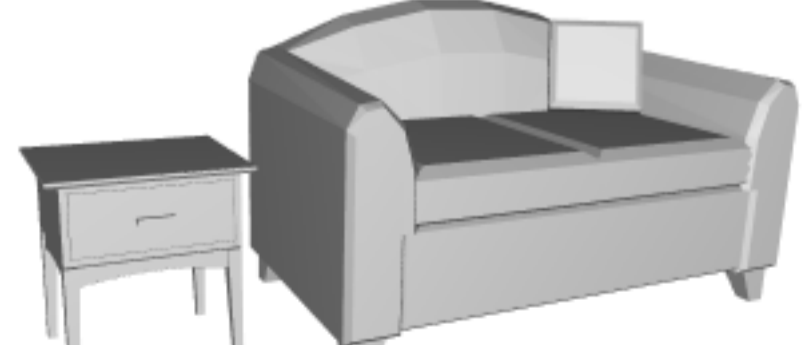
**Task 33 of 50 Score = 0.551375**



0.5



0.4



0.4





0.3



0.3



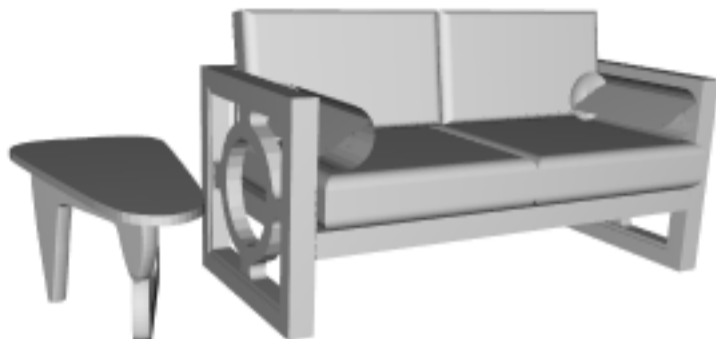
0.1

---

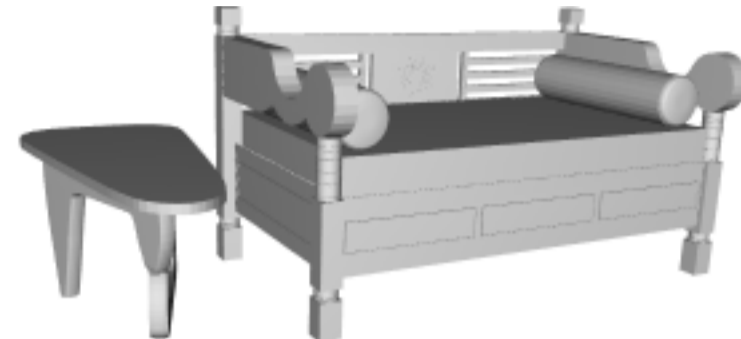
**Task 34 of 50 Score = 0.551375**



0.5



0.4



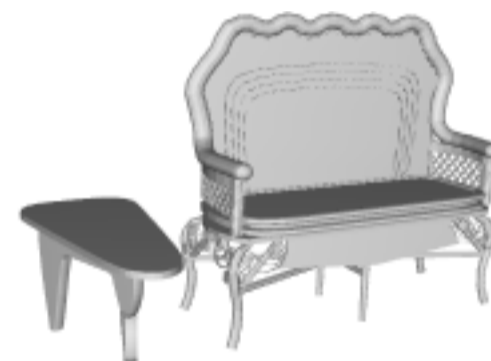
0.4



0.35



0.25



0.1

---

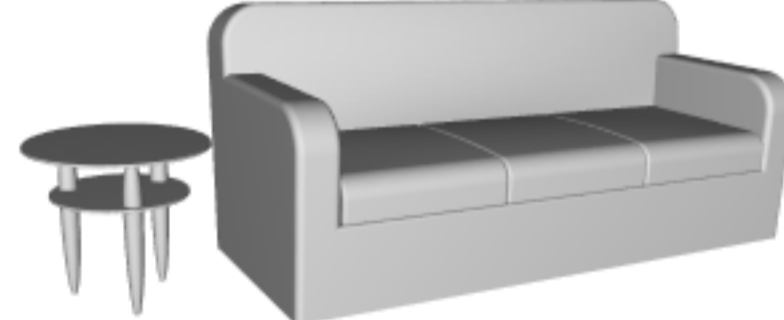
**Task 35 of 50 Score = 0.551375**



0.5



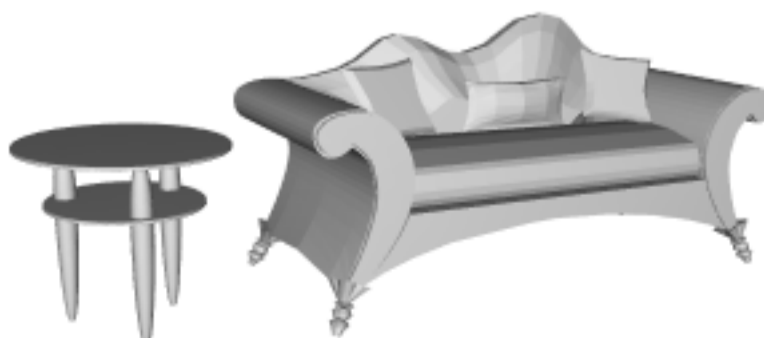
0.5



0.45



0.25

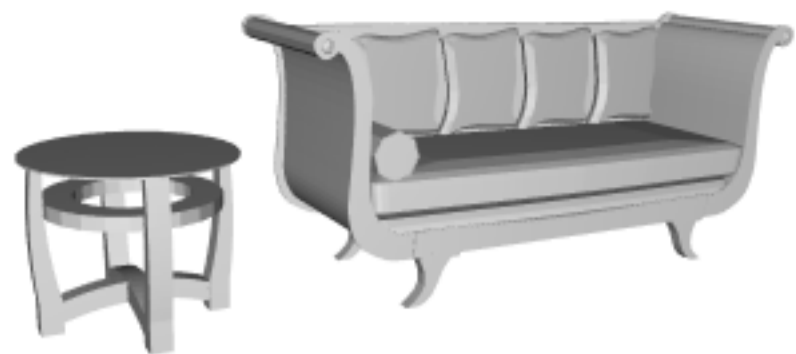


0.2

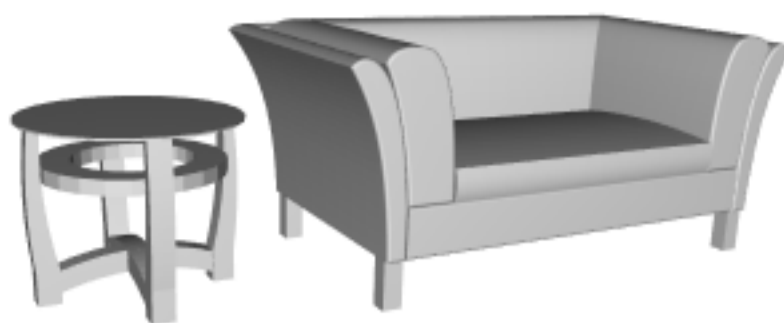


0.1

**Task 36 of 50 Score = 0.621235**



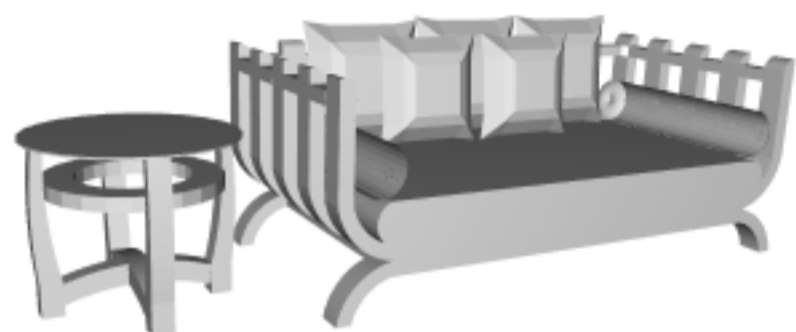
0.538462



0.384615



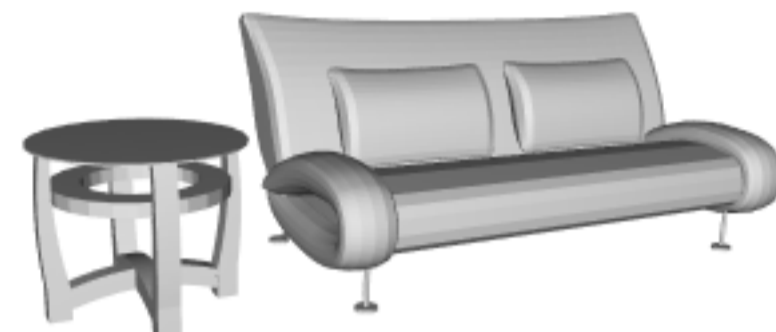
0.307692



0.307692



0.230769



0.230769

**Task 37 of 50 Score = 0.621235**



0.538462



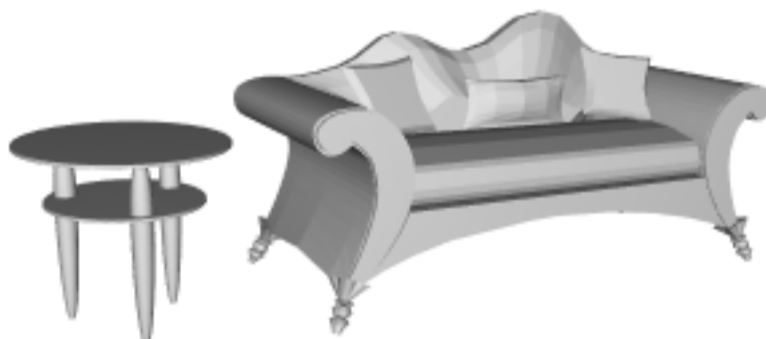
0.538462



0.461538



0.153846

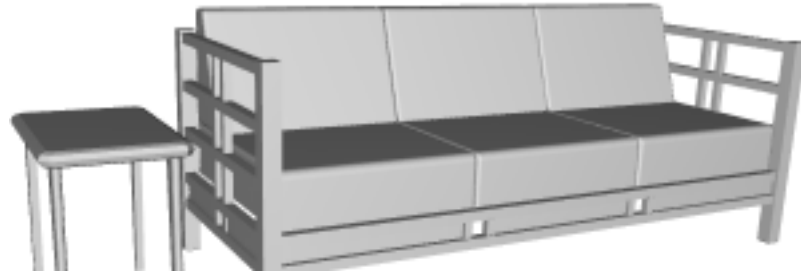
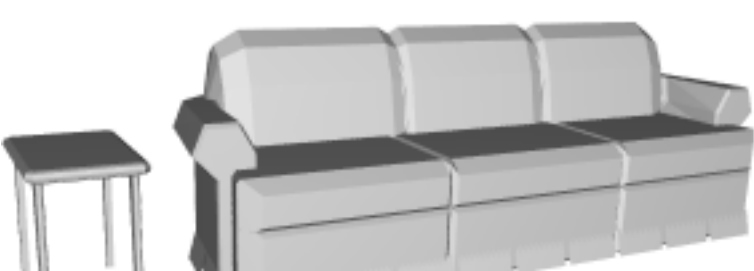


0.153846



0.153846

**Task 38 of 50 Score = 0.621235**

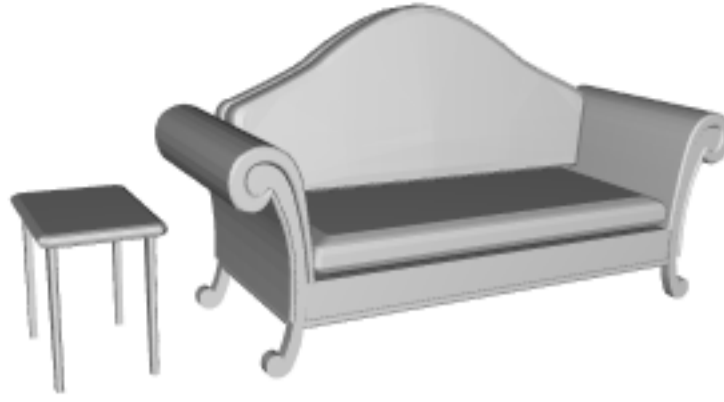




0.538462



0.461538



0.384615

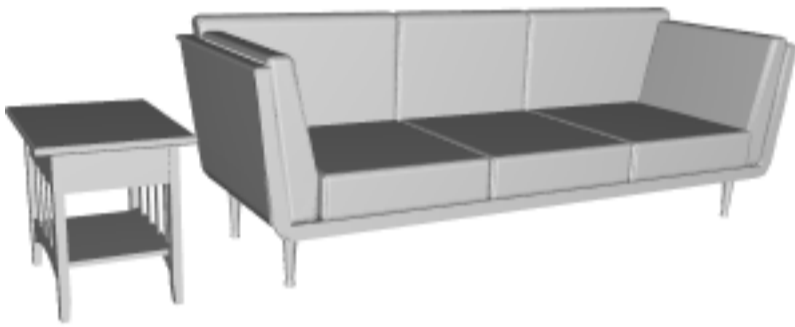


0.230769

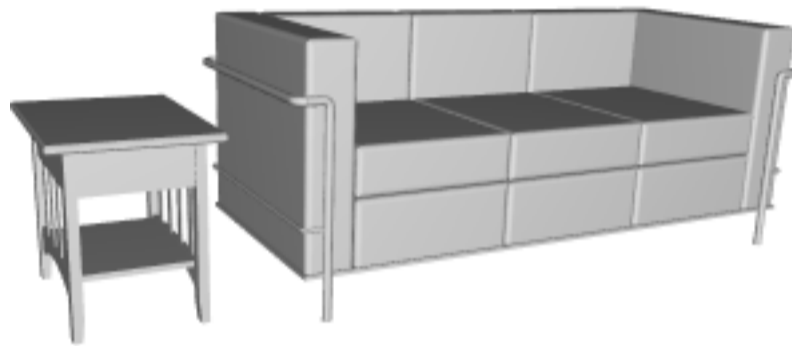
0.230769

0.153846

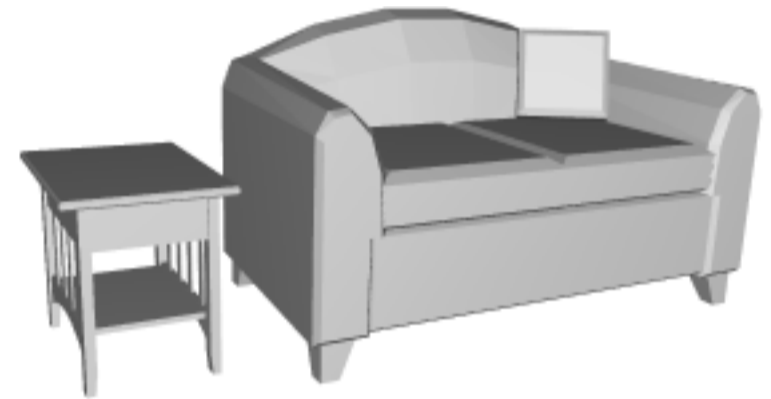
**Task 39 of 50 Score = 0.621235**



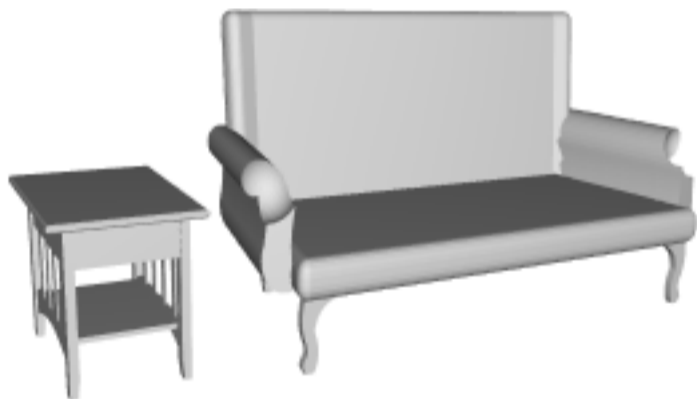
0.538462



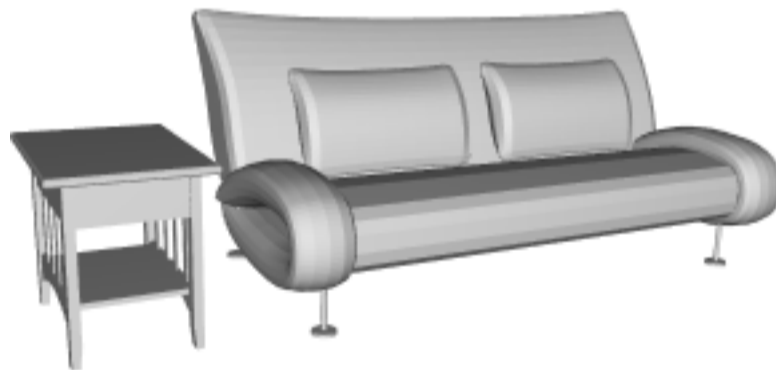
0.461538



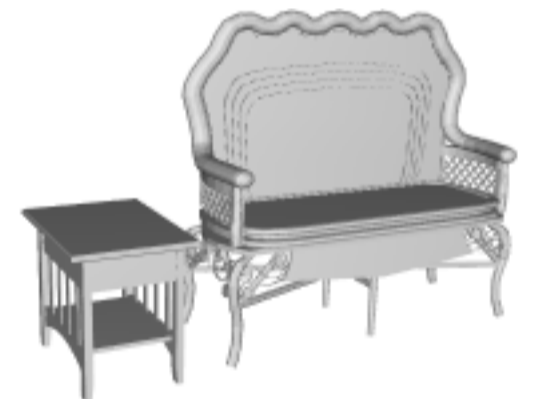
0.461538



0.307692

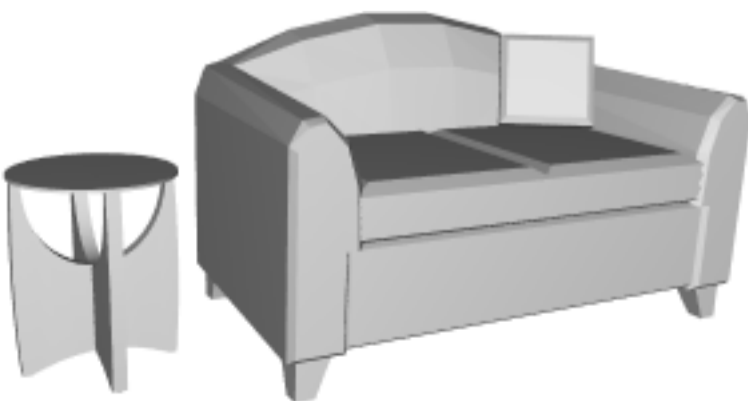


0.153846

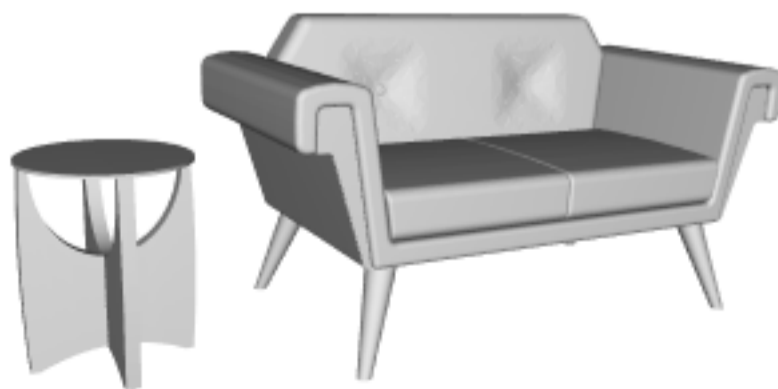


0.0769231

**Task 40 of 50 Score = 0.621235**



0.538462



0.538462



0.384615

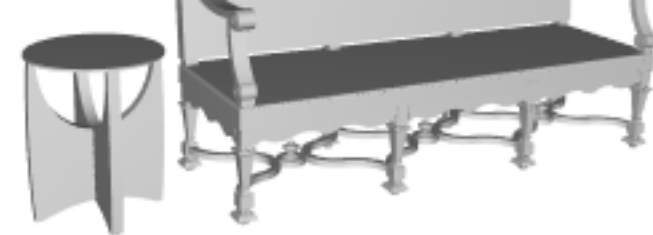




0.384615

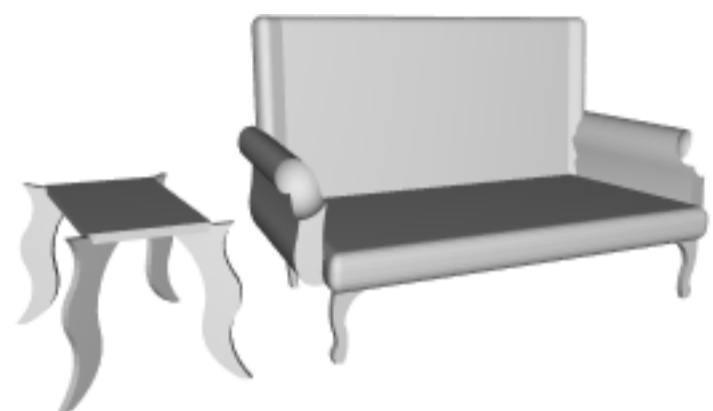


0.0769231



0.0769231

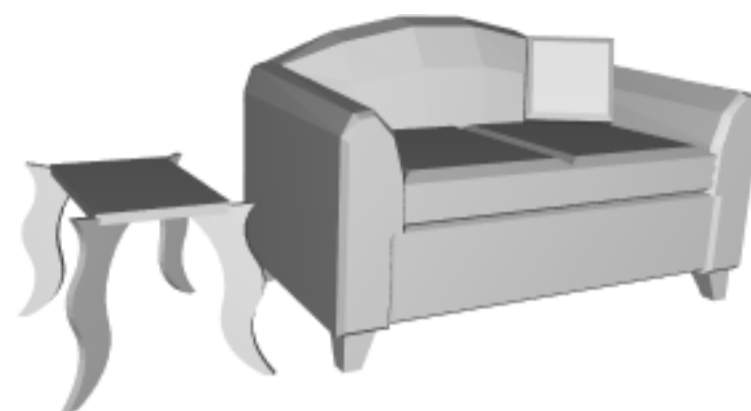
**Task 41 of 50 Score = 0.621235**



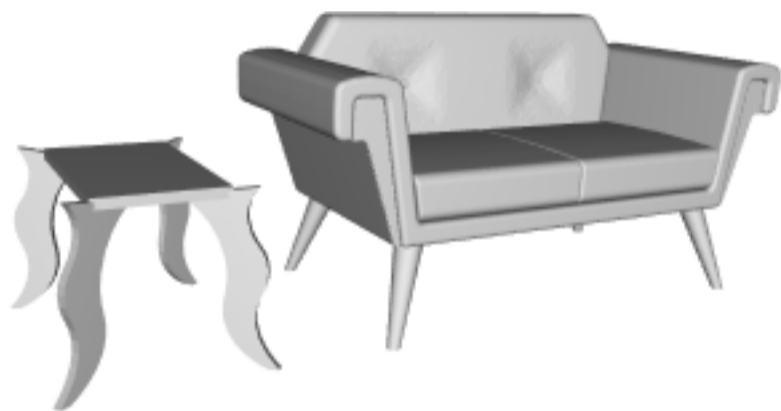
0.538462



0.461538



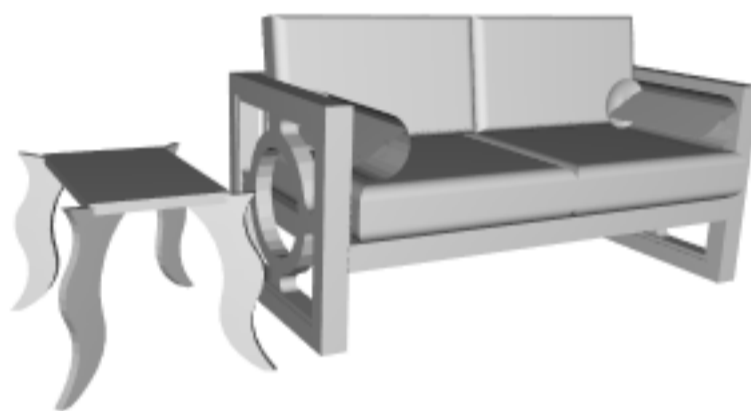
0.384615



0.230769



0.230769



0.153846

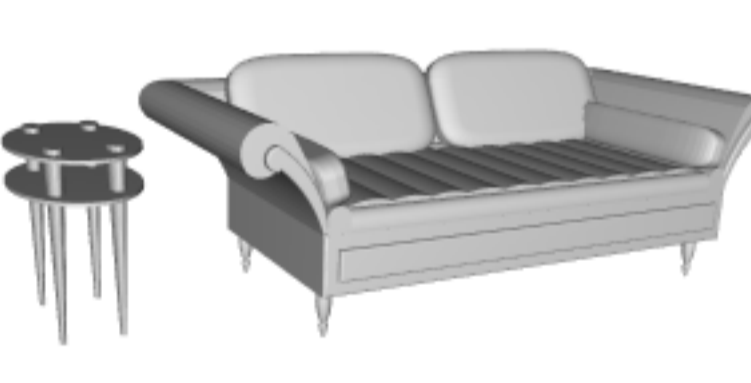
**Task 42 of 50 Score = 1.14329**



0.45



0.4



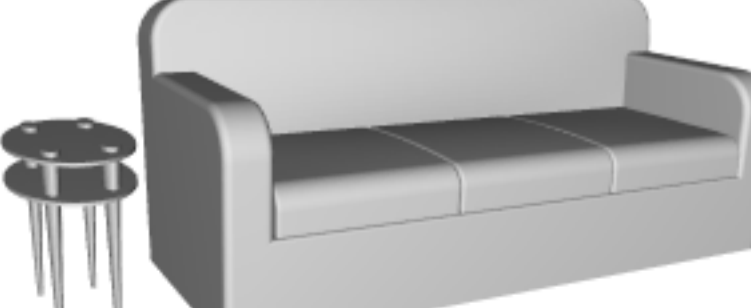
0.4



0.35



0.25



0.15

**Task 43 of 50 Score = 1.14329**



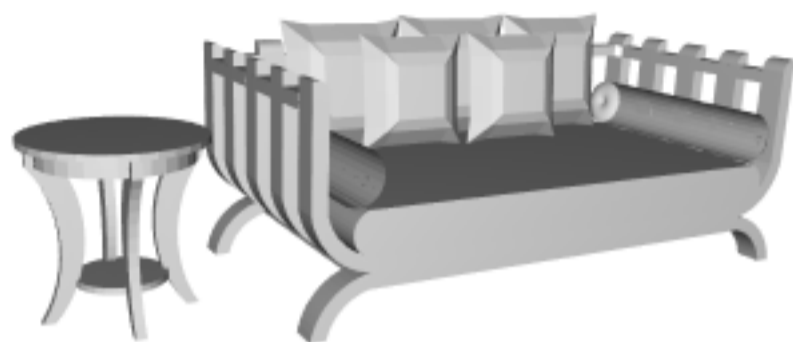
0.45



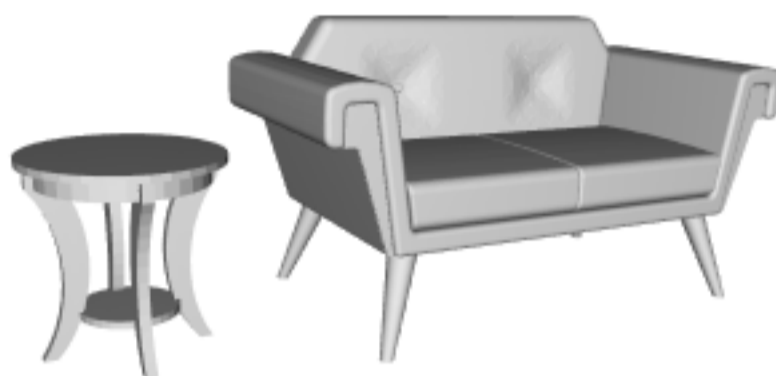
0.45



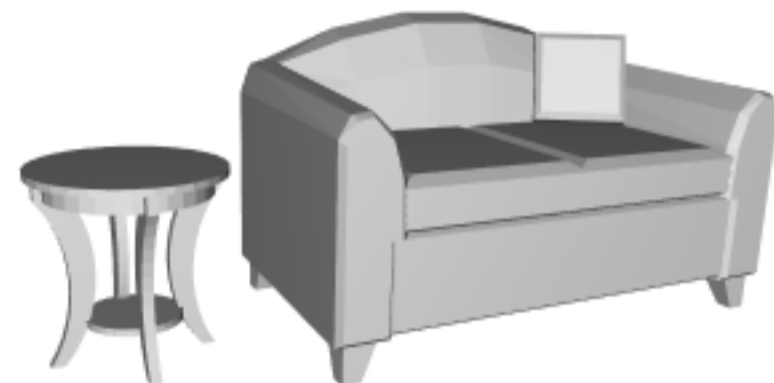
0.35



0.3

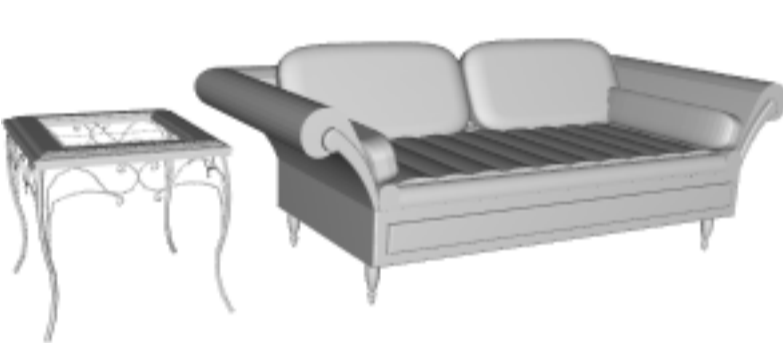


0.3



0.15

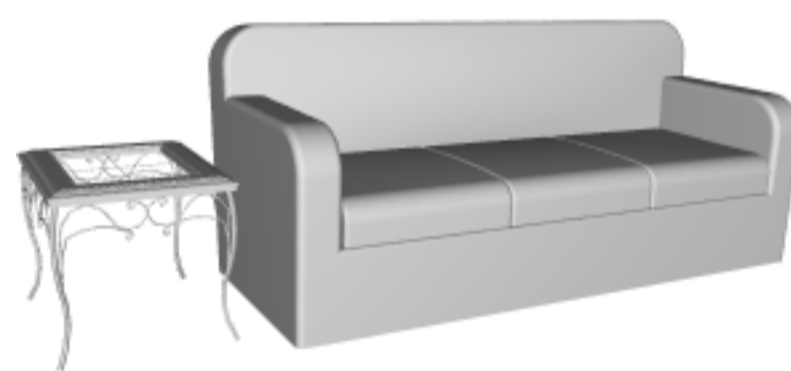
**Task 44 of 50 Score = 1.14329**



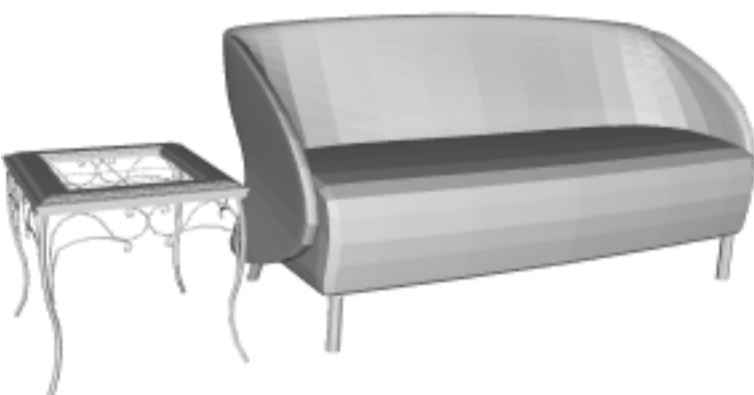
0.45



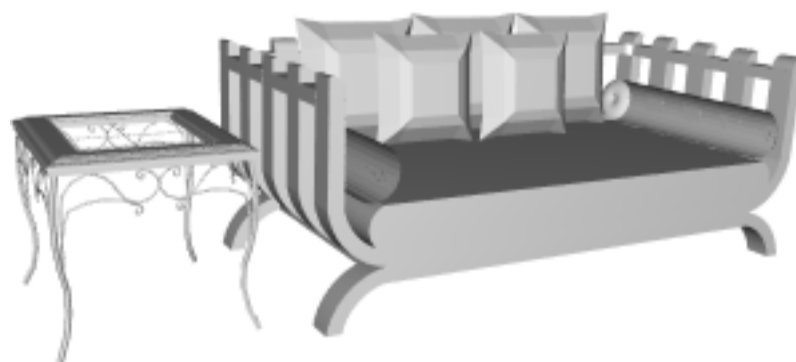
0.4



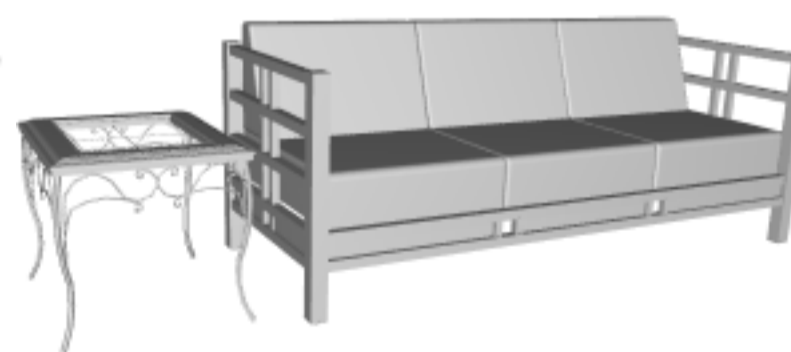
0.4



0.3



0.25

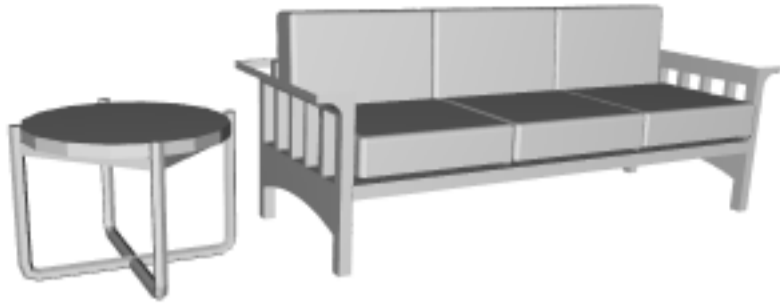


0.2

**Task 45 of 50 Score = 1.14329**



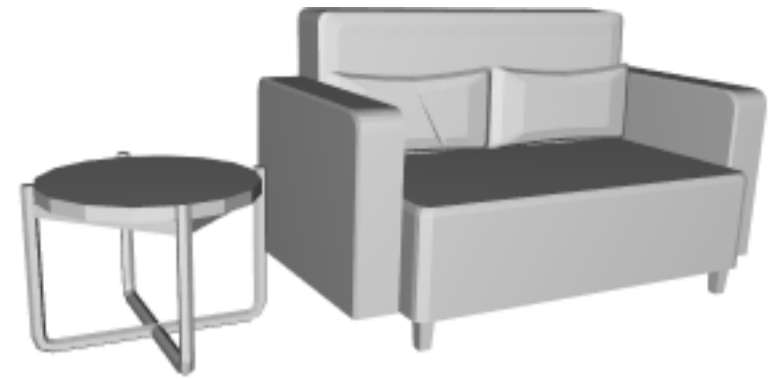
0.45



0.45



0.4

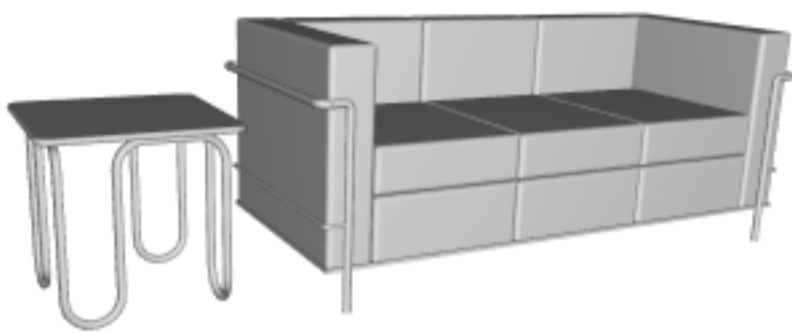


0.3

0.25

0.15

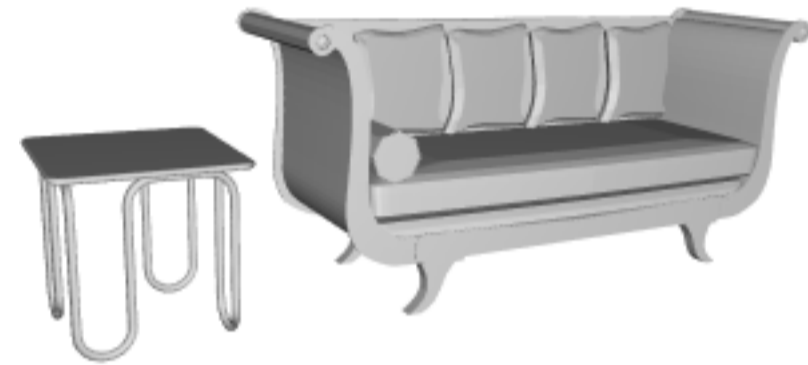
**Task 46 of 50 Score = 1.44785**



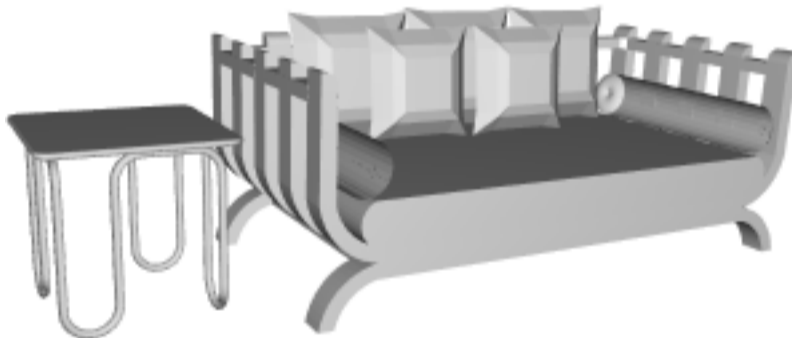
0.461538



0.461538



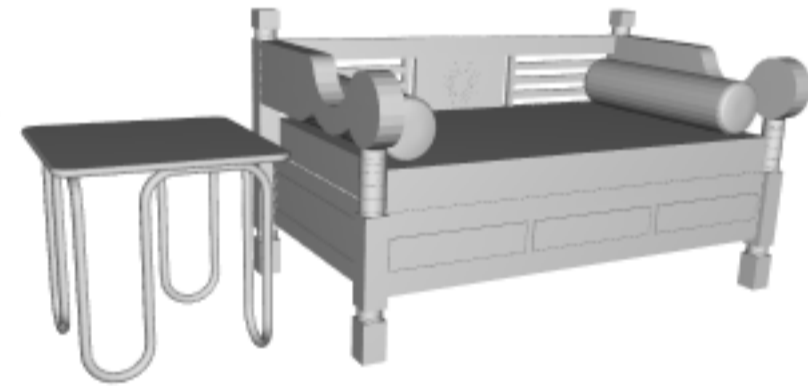
0.384615



0.307692

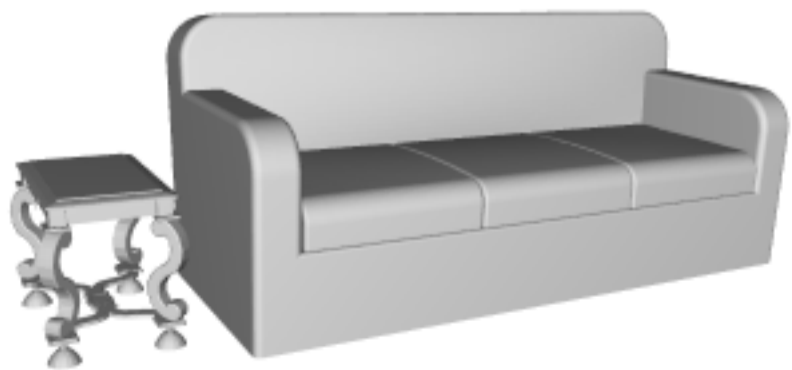


0.230769



0.153846

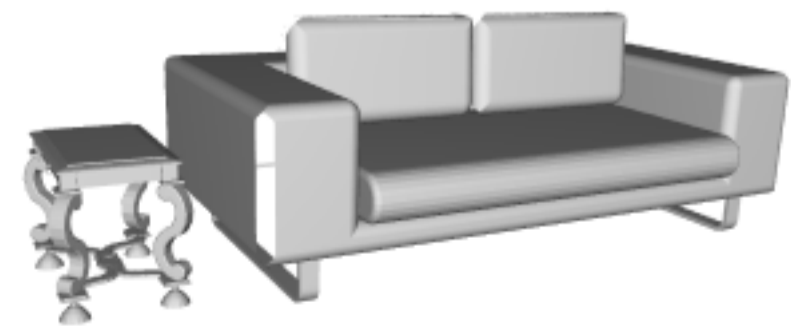
**Task 47 of 50 Score = 1.44785**



0.461538



0.384615



0.307692





0.307692



0.307692

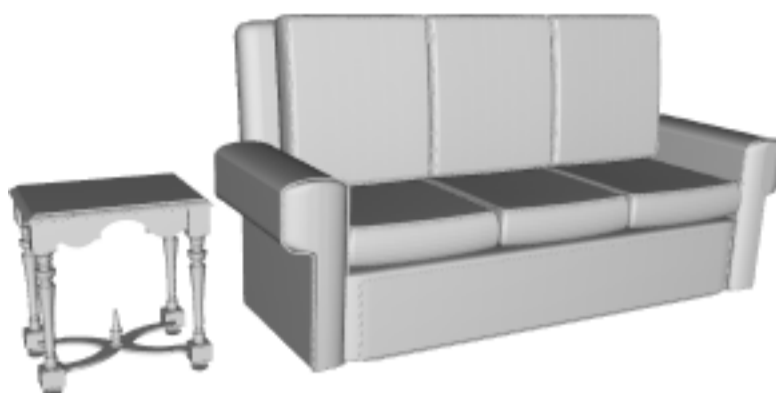


0.230769

**Task 48 of 50 Score = 1.44785**



0.461538



0.461538



0.384615



0.384615

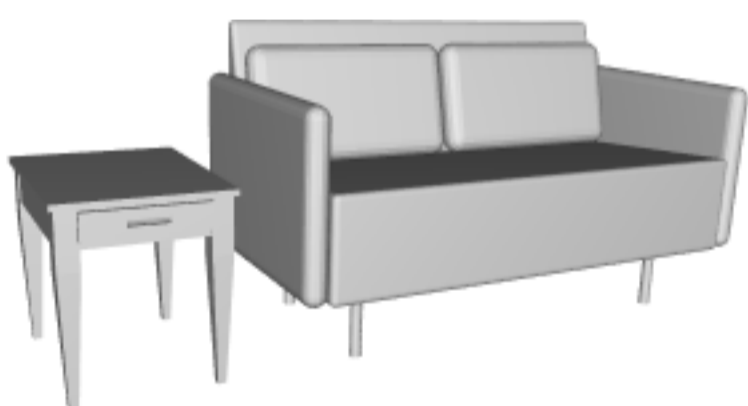


0.230769



0.0769231

**Task 49 of 50 Score = 1.44785**



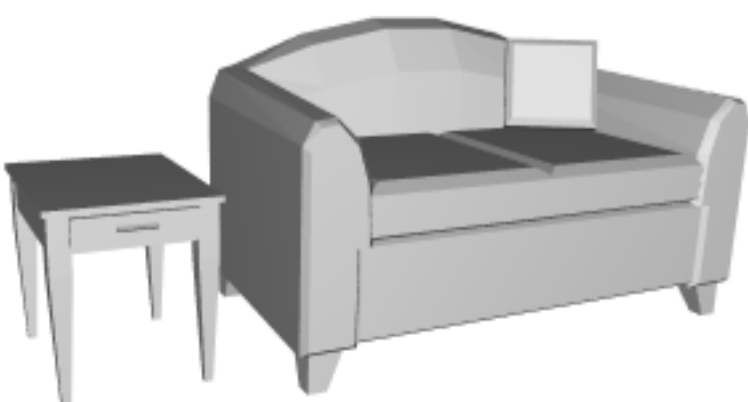
0.461538



0.384615



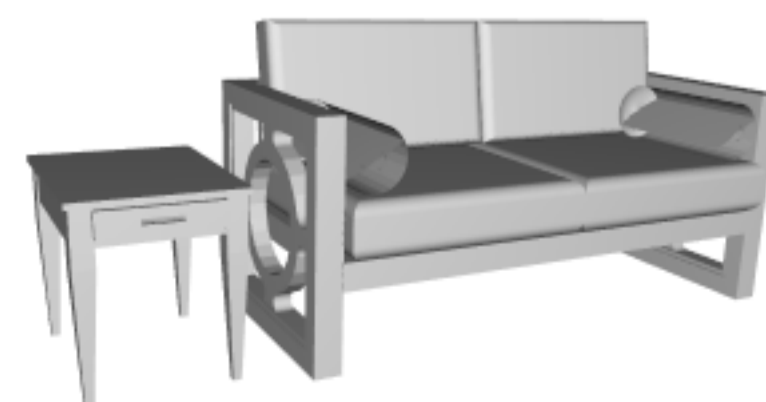
0.384615



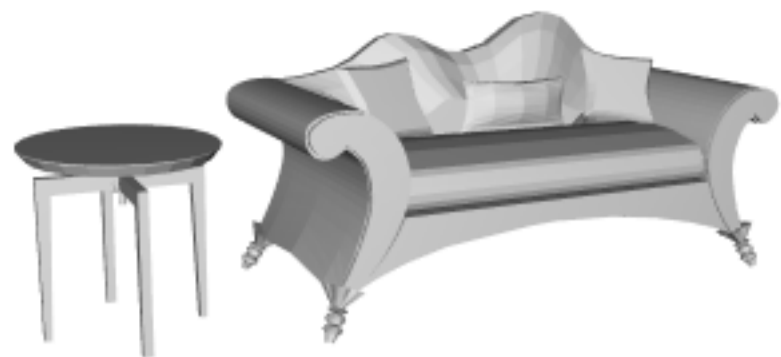
0.384615



0.230769



0.153846



0.461538



0.461538



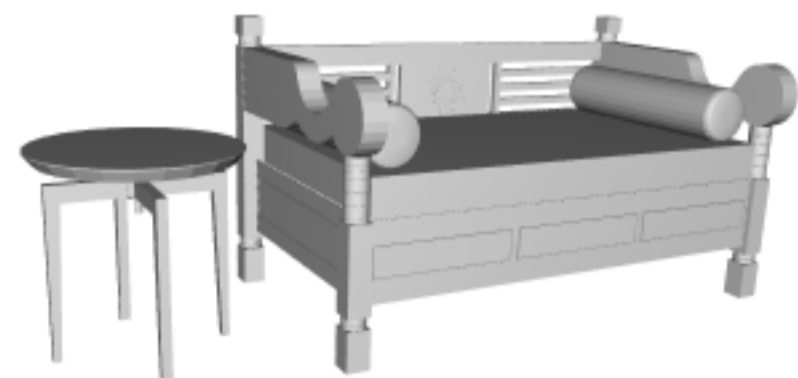
0.307692



0.307692



0.307692



0.153846